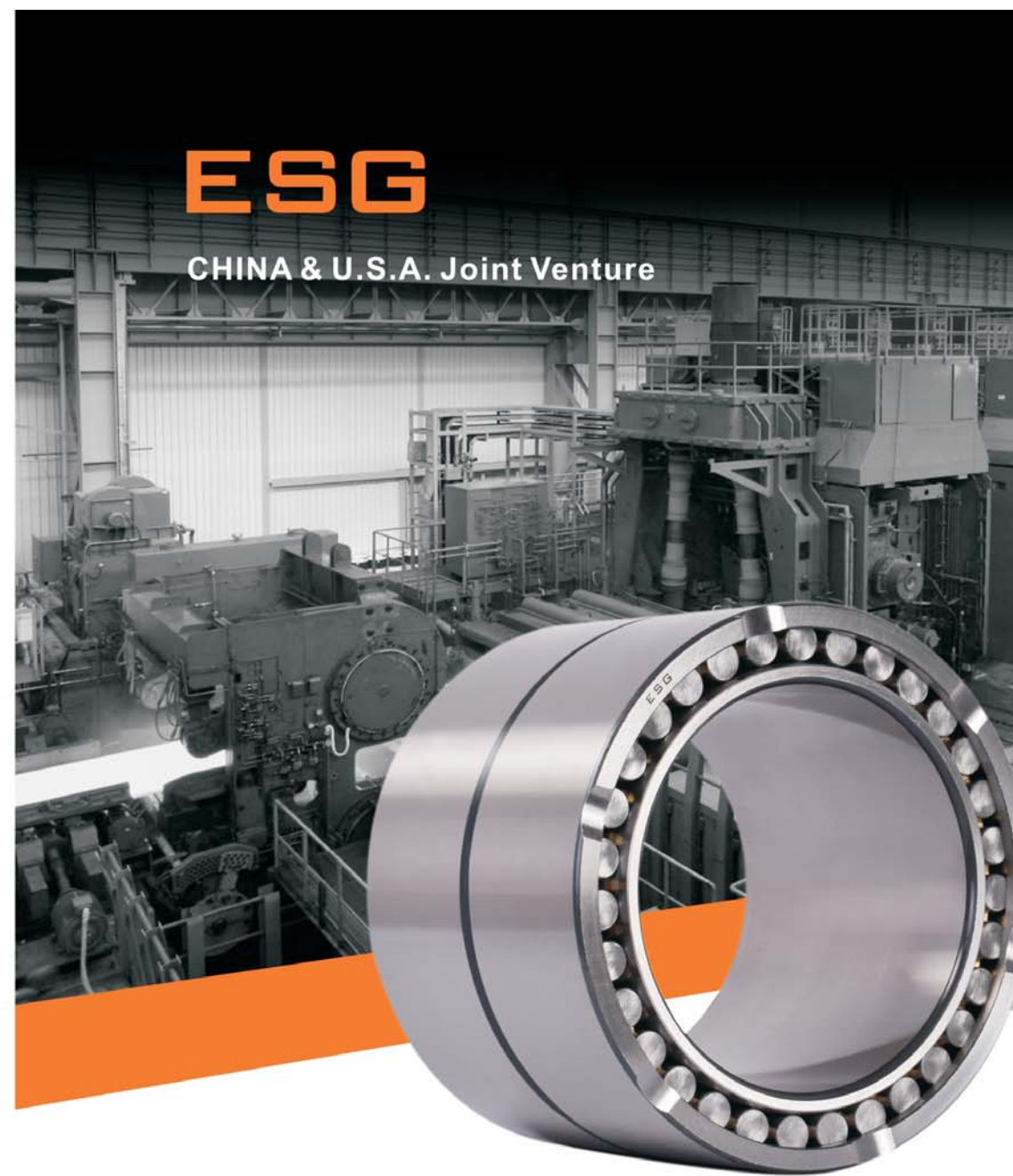


ESG

汕头市伊斯吉轴承制造有限公司
SHANTOU ESG BEARING MANUFACTURE CO.,LTD

工厂地址：广东省汕头市龙湖区新兴工业村B1栋一层
办公地址：广东省汕头市衡山路万丰楼9层
邮 编：515041
电 话：0754-88889698
传 真：0754-88863336
邮 箱：domestic@esgbearing.com
网 址：www.esgbearing.com

Factory: 1/F, Bldg. B1, Xinxing Industrial Zone, Longhu Dist., Shantou, Guangdong 515041, China
Office: 9/F, Wangfeng Bldg., Hengshan Road, Shantou, Guangdong 515041, China
Post code: 515041
Tel: 0086-754-88789622
Fax: 0086-754-88863336
Email: overseas@esgbearing.com
Website: www.esgbearing.com



ESG

CHINA & U.S.A. Joint Venture

specialized in high-end rolling mill bearings

公司简介 Profile >>>



汕头市依斯吉轴承制造有限公司是中美合资企业，专业生产高端轧机轴承的工厂，自营进出口的生产企业，产品商标“ESG”。

ESG公司拥有先进的制造技术、高精度的生产设备、高精密的检测仪器、高标准的质量要求，并已多次通过 ISO9001质量管理体系的认证，产品的质量全部达到或超过国家标准，产品可替代世界高端产品，并深受国内外客户的高度好评。质量决定企业的生命，技术成就企业的未来。

Shantou ESG Bearing Manufacture Company Limited is a USA & China joint venture, specializing in making high end rolling mill bearings. We have our own brand “ESG” and license of import and export. ESG always makes its products with high requirements. To fully meet our own high requirements, we have implemented advanced technology, high-accuracy equipment and fine testing instruments. We have been awarded the ISO9001 quality management system certification. All the bearings made by ESG have reached or exceeded the national standards.

ESG Bearing can be used to replace bearings from top brands and has received approval from domestic and international clients.

Quality brings development. Technology makes future.

公司证书 Certificate >>>



Certificate of Approval



High-tech Enterprise Certificate



Certificate of Approval



ISO Certificate



ISO Certificate



Certificate of Invention Patent



Certified Enterprise of Overseas Chinese Pilot Area



Certificate of Copyright of Computer Software



Certificate of Copyright of Computer Software



Certificate of Copyright of Computer Software



Certificate of Copyright of Computer Software

产品介绍 Product Introduction >>>



P5-P36



Four-row Cylindrical Roller Bearings

四列圆柱滚子轴承



P37-P52



Four-row Tapered Roller Bearings

四列圆锥滚子轴承



P53-P76



Double-row Tapered Roller Bearings

双列圆锥滚子轴承



P77-P83



Spherical Roller Bearings

调心滚子轴承



P84-P87



Deep Groove Ball Bearings

深沟球轴承



P88-P96



Four-point Contact Ball Bearings

四点接触球轴承



P97-P98



Double-row Angular Contact Ball Bearings

双列角接触球轴承



P99-P100



Bilateral Double-row Thrust Tapered Roller Bearings

双向双列推力圆锥滚子轴承



四列圆柱滚子轴承
Four-row Cylindrical Roller Bearings

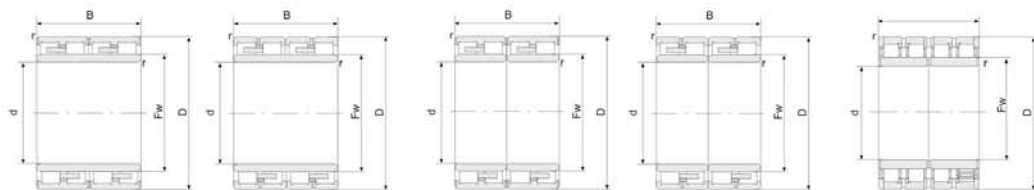


四列圆柱滚子轴承标志说明

Symbol Description Of Four-row Cylindrical Roller Bearings >>>

例如: **FC3854200/P63**

FC	轴承的结构特征 Structural characteristic of bearing
38	公称内径的毫米数/5 (190mm) Nominal inner diameter/5 (190mm)
54	公称外径的毫米数/5 (270mm) Nominal outer diameter/5 (270mm)
200	公称宽度的毫米数 (200mm) Nominal width (200mm)
P63	公差等级(6)、径向游隙(3)组 Grade of Tolerance (6)、Radial Clearance (Group3)



FC

FCD

FCDP

四列圆柱滚子轴承 Four-row Cylindrical Roller Bearings

外形尺寸(毫米) Boundary dimensions(mm)					基本额定负荷 (千牛) Basic load ratings(kN)		极限转速(转/分) Speed rating (rpm)		型号 Designations
d	D	B	Fw	r _{min}	Cr	Cor	脂润滑 Grease	油润滑 Oil	
100	135	80	110	1.5	198	496	3500	4100	FC202780
	140	70	110	1.5	194	416	3700	4500	FC202870
	140	80	111	1.5	262	609	2730	3270	FC202880
	140	104	111	1.5	290	710	3600	4400	FC2028104
	145	70	113	1.5	230	470	3700	4500	FC202970
	150	106	113	1.5	350	740	2730	3270	FC2030106
110	150	80	121	1.5	197	690	2970	3660	FC223080
	150	120	122	1.5	393	1058	2970	3660	FC2230120
	170	90	127	2.0	362	417	2730	3270	FC223490
	170	120	127	2.0	518	1150	2730	3270	FC2234120
120	180	92	137	2.0	426	966	2730	3270	FC243692
	180	105	135	2.0	460	650	2730	3270	FC2436105
	180	120	136	2.0	505	1140	2650	3150	FC2436120
130	200	104	150	2.0	460	860	2800	3250	FC2640104
	200	125	149	2.0	650	1400	2650	3200	FC2640125
140	190	119	154	2.0	490	1330	2340	2890	FC2838119
	210	80	156	2.0	500	970	2200	2800	FC284280
	210	100	158	2.0	540	1190	2600	2950	FC2842100
	210	106	158	2.0	537	1190	2600	2950	FC2842106
	210	116	160	2.5	700	1475	2500	2850	FC2842116
	210	125	158	2.0	620	1370	2600	2950	FC2842125
	210	155	158	2.0	800	1910	2250	2720	FC2842155
145	210	155	166	2.0	690	1900	2200	2600	FC2942155
	225	156	169	2.0	913	1800	2200	2600	FC2945156
150	200	120	162	2.0	672	1400	2200	2800	FC3040120
	210	120	166	2.0	565	1400	2150	2650	FC3042120
	210	120	166	2.0	600	1530	2150	2650	FCD3042120
	210	120	168.5	2.0	686	1380	2200	2800	FCD3042120A
	210	150	165	2.0	872	1780	2200	2800	FC3042150
	220	120	167	2.0	630	1370	2150	2650	FC3044120
	220	127	168	2.5	615	1280	2000	2600	FC3044127
	220	150	168	2.0	885	2030	2150	2650	FC3044150
	225	112	170	2.0	550	1210	2000	2600	FCD3045112

四列圆柱滚子轴承 Four-row Cylindrical Roller Bearings

重量(千克) Weight(kg)		相当于国外型号(参考) Equivalent to foreign designations(For your information)					
成套 Complete set	内圈 Inner ring	SKF	FAG	NSK	NTN	KOYO	TIMKEN
3.20	1.03						
3.20	1.00						
3.50	1.40						
5.20	1.50			100RV 1401			
3.61	1.18					20FC1570	
6.43	1.78						
4.40	1.25						
6.60	2.06						
7.30	2.21					22FC1790	
9.90	3.00			110RV 1701			
7.79	2.50				4R2437		
9.00	2.50				4R2438	4CR120	
11.20	3.02						
11.50	3.52				4R2628	26FC20104	
14.20	4.04			130RV 2001		26FC20125	
9.50	2.95				4R2832	28FC19119W	
9.40	2.29						
12.80	3.30						
14.00	3.50						
14.10	4.29			140RV 2101	4R2823		
14.90	4.10						
18.70	5.10						
18.40	6.15	314625	511605	145RV 2101	4R2906	29FC21155	
22.20	7.20	313924A	538522	145RV 2201	4R2904/4R2908	313924	145RY1452
10.10	2.40					30FC20120	
12.70	3.70						
12.70	1.85						
12.80	1.80					30FC21120	
15.90	3.80					30FC21150	
14.50	3.98						
15.70	3.90				4R3036		
19.20	5.10			150RV 2201	4R3031/4R3056	30FC22150A	
15.30	2.16						

四列圆柱滚子轴承 Four-row Cylindrical Roller Bearings

外形尺寸(毫米) Boundary dimensions(mm)					基本额定负荷 (千牛) Basic load ratings(kN)		极限转速(转/分) Speed rating (rpm)		型号 Designations
d	D	B	Fw	r _{min}	Cr	Cor	脂润滑 Grease	油润滑 Oil	
150	225	120	169	2.0	690	1590	2150	2650	FC3045120
	225	150	169	2.0	774	1803	2150	2650	FC3045150
	225	150	168.5	1.5	970	1810	2000	2600	FC3045150A
	225	136	168.776	2.1	820	1460	2000	2600	FC3045136
	230	130	174	2.5	860	1785	2150	2650	FC3046130
	230	156	174	2.0	820	1660	2150	2650	FC3046156
	230	168	178	2.0	845	1950	2150	2650	FC3046168
	250	120	178	2.0	740	1570	2000	2600	FC3050120
	250	150	177	2.5	885	1640	2150	2650	FC3050150
	160	220	180	177	2.5	920	2490	2000	2600
230		130	178	2.0	780	1340	2000	2600	FC3246130A
230		130	180	2.0	700	1740	2000	2600	FC3246130
230		168	179	3.0	820	2220	2000	2600	FC3246168
230		168	180	2.5	895	2200	2000	2600	FC3246168A
230		168	182	2.5	895	2210	2000	2600	FC3246168A1
230		180	177	2.5	1055	2580	2000	2600	FC3246180
240		120	183	2.1	745	1320	2000	2600	FC3248120
240		124	183	2.1	780	1800	2000	2600	FC3248124
240		145	180	2.1	920	1600	2000	2600	FC3248145
240		168	183	2.5	950	2310	2000	2600	FC3248168
240		168	183	2.1	950	2330	2000	2600	FCD3248168
240		170	183	2.0	1090	2475	2000	2600	FC3248170
170		230	120	187	2.5	720	1795	1900	2350
	230	130	188.5	2.5	680	1720	1900	2350	FC3446130
	230	160	185.5	2.0	980	2500	1900	2350	FC3446160
	230	180	186	2.0	820	2190	1900	2350	FC3446180
	240	130	190	2.0	746	1845	1900	2350	FC3448130
	240	156	189	2.0	840	2220	1900	2350	FC3448156
	240	156	190	2.0	972	2050	1900	2400	FC3448156A
	240	160	190	2.0	860	2300	1900	2350	FC3448160
	240	190	187	1.5	1260	2620	1900	2400	FC3448190
	250	168	192	2.5	1110	2580	1900	2350	FC3450168
	250	168	193	2.5	970	2200	1800	2200	FC3450168A

四列圆柱滚子轴承 Four-row Cylindrical Roller Bearings

重量(千克) Weight(kg)		相当于国外型号(参考) Equivalent to foreign designations(For your information)					
成套 Complete set	内圈 Inner ring	SKF	FAG	NSK	NTN	KOYO	TIMKEN
16.10	4.50						
20.40	5.60						
20.80	5.60			150RV2203			
18.60	5.20			150RV2204			
20.00	5.30			150RV2301	4R3029	30FC23130-1	
23.50	7.50	313891A	506962	150RV2302	4R3040	313891-1	
25.80	8.00				4R3042		
24.30	6.70						
29.60	6.90				4R3039		
20.20	6.40				4R3224	32FC22180	
16.40	4.90			160RV2301			
16.80	5.40	314190	502894B		4R3226	314190	160RY1468
22.10	6.55	315189A	510150B		4R3232	32FC23170B	160RY1467
23.20	6.90			160RV2302	4R3229	32FC23170A	
23.20	7.60				4R3231	32FC23170	
24.80	6.40				4R3228	32FC23180A	
18.80	5.80			160RV2401		32FC24120W	
19.00	6.00						
22.30	6.00			160RV2403			
26.10	8.10						
26.10	4.00						
27.80	8.20			160RV2402	4R3225	32FC24170	
14.20	4.50			170RV2301	4R3426/4R3443	34FC23120	
15.20	5.20	313673	508370				
18.90	5.43	BC2B 32234 0/HB1V J202	567622				
21.10	6.30						
18.30	5.70	BC4B635122	510440B				
22.20	6.50				4R3429	34FC24156B	
22.40	6.80					34FC24156A	
22.80	7.00			170RV2402	4R3423		
26.90	7.10					34FC24190	
27.40	8.16			170RV2501		34FC25168	
28.20	8.50				4R3432/4R3428		

四列圆柱滚子轴承 Four-row Cylindrical Roller Bearings

外形尺寸(毫米) Boundary dimensions(mm)					基本额定负荷 (千牛) Basic load ratings(kN)		极限转速(转/分) Speed rating (rpm)		型号 Designations	
d	D	B	Fw	r _{min}	Cr	Cor	脂润滑 Grease	油润滑 Oil		
170	250	170	192	2.0	1050	2400	1900	2350	FC3450170	
	255	180	193	2.5	1215	2780	1900	2350	FC3451180	
	260	120	195	2.5	880	1780	1900	2350	FC3452120	
	260	150	192	2.5	835	1750	1800	2200	FC3452150A	
	260	150	195	2.5	900	1950	1800	2200	FC3452150	
	260	170	195	2.0	1080	2610	1875	2290	FC3452170	
	260	225	196	2.0	1300	3300	1750	2000	FC3452225	
	180	250	100	200	2.1	510	1240	1800	2200	FCD3650100
250		120	200	2.1	615	1620	1850	2300	FC3650120	
250		130	200	2.1	700	1890	1850	2300	FC3650130	
250		156	200	2.1	900	2400	1850	2300	FC3650156	
250		168	202	2.0	885	2470	1850	2300	FC3650168	
260		120	202	2.1	740	1730	1800	2200	FC3652120	
260		124	202	2.1	740	1730	1800	2200	FC3652124	
260		140	200	2.1	847	1918	1800	2200	FC3652140	
260		154	202	2.1	932	2332	1800	2200	FC3652154	
260		160	202	2.1	932	2300	1850	2300	FC3652160	
260		168	202	3.5	1040	2700	1740	2140	FC3652168	
260		168	202	2.1	990	2530	1740	2140	FCD3652168	
260		180	202	2.1	1100	2800	1850	2300	FC3652180	
265		180	203	2.1	1230	2420	1850	2300	FC3653180A	
265		180	204	2.1	1250	2925	1850	2300	FC3653180	
280		180	205.085	2.1	1410	2490	1700	2000	FC3645180A	
280		180	206	2.1	1150	1500	1665	2050	FC3656180	
190		260	124	212	2.1	650	1730	1700	2000	FC3852124
		260	124	208	2.1	700	1830	1700	2000	FC3852124A
		260	168	208	2.1	970	2610	1700	2000	FC3852168A
	260	168	212	2.1	990	2600	1800	2200	FC3852168	
	265	124	213	2.1	660	1720	1700	2000	FC3853124	
	270	124	212	2.1	793	2056	1800	2200	FC3854124	
	270	166	212	2.1	1170	2910	1800	2200	FC3854166	
	270	168	212	2.1	1000	2490	1800	2200	FC3854168	
	270	170	212	2.5	920	2430	1800	2200	FC3854170	

四列圆柱滚子轴承 Four-row Cylindrical Roller Bearings

重量(千克) Weight(kg)		相当于国外型号(参考) Equivalent to foreign designations(For your information)					
成套 Complete set	内圈 Inner ring	SKF	FAG	NSK	NTN	KOYO	TIMKEN
27.90	8.26			170RV2502		34FC25170	
19.30	9.10			170RV2503	4R3425		
22.80	6.70						
29.50	7.30				4R3433		
28.20	8.30			170RV2602		34FC26150	
31.60	9.50						
43.20	13.00	313587B	505470		4R3431		
14.70	2.23						
17.70	5.60						
23.00	6.09						
27.30	7.18			180RV2501	4R3625	36FC25156A	
28.50	8.70				4R3639		
20.20	6.20						
21.00	6.40						
24.50	6.56						
28.20	7.98						
29.20	8.29						
31.00	8.60	313812	507536	180RV2601	4R3628	313812W/36FC26168	180RY1521
31.00	4.26						
32.90	9.32						
33.40	9.70			180RV2603		36FC27180	
34.20	10.10			180RV2602	4R3618		
40.90	10.50			180RV2802			
41.00	11.00		524372				
19.10	6.61						
20.60	5.43						
25.70	7.50						
27.20	9.10	313651	507735	190RV2601	4R3820	38FC26168-1	190RY1528
20.80	7.10						
23.80	6.76						
26.60	9.05						
30.00	9.10						
30.50	9.10			190RV2703		38FC27170	

四列圆柱滚子轴承 Four-row Cylindrical Roller Bearings

外形尺寸(毫米) Boundary dimensions(mm)					基本额定负荷 (千牛) Basic load ratings(kN)		极限转速(转/分) Speed rating (rpm)		型号 Designations
d	D	B	Fw	r _{min}	Cr	Cor	脂润滑 Grease	油润滑 Oil	
190	270	170	213	2.5	1090	2660	1700	2000	FC3854170A
	270	200	212	2.1	1370	3350	1800	2200	FC3854200
	280	200	214	2.1	1243	3117	1800	2200	FC3856200
	280	200	222	2.1	1240	3200	1700	2000	FC3856200A
	290	190	215	2.1	1550	2860	1700	2000	FC3858190
200	250	200	215	1.0	900	2500	1800	2200	FC4050200
	270	120	222	2.1	615	1645	1800	2200	FC4054120
	270	170	222	2.1	940	2840	1800	2200	FC4054170
	280	152	222	2.1	1000	2320	1700	2100	FC4056152
	280	170	222	2.1	1100	3000	1700	2100	FC4056170
	280	170	223	2.0	1500	2600	1700	2100	FC4056170A
	280	188	222	2.1	1030	2700	1700	2100	FC4056188
	280	190	223	2.1	1325	3375	1700	2100	FC4056190
	280	200	222	2.1	1210	3350	1700	2100	FC4056200
	280	200	224	2.1	1210	3610	1700	2100	FC4056200A
	290	130	226	2.1	907	1171	1700	2100	FC4058130
	290	192	226	2.1	1230	3200	1650	2000	FC4058192
	290	192	226	2.1	1240	3250	1650	2000	FCD4058192
	310	160	232	2.1	1260	2240	1400	1700	FC4062160
	310	200	229	2.1	1960	4000	1600	2000	FC4062200
	310	206	227	2.1	1790	3240	1400	1700	FC4062206
	310	230	229	2.1	2360	4000	1600	2000	FCD4062230
	310	265	227	2.0	2700	4250	1400	1700	FCD4062265
	320	216	231	3.0	2120	3900	1400	1700	FC4064216
	210	290	192	234	2.1	1030	3000	1500	1850
290		192	236	2.1	1130	3510	1500	1850	FC4258192A
300		170	234	2.1	1100	2810	1500	1800	FC4260170
300		210	234	2.1	1388	3700	1500	1850	FC4260210
300		210	234	2.1	1400	3800	1500	1850	FCD4260210
220	290	192	239	2.5	1190	3350	1450	1750	FC4458192
	300	150	240	2.1	1210	2500	1400	1700	FC4460150
	300	160	245	2.5	1000	2590	1450	1750	FC4460160
	300	192	242	2.1	1090	3310	1450	1750	FC4460192

四列圆柱滚子轴承 Four-row Cylindrical Roller Bearings

重量(千克) Weight(kg)		相当于国外型号(参考) Equivalent to foreign designations(For your information)					
成套 Complete set	内圈 Inner ring	SKF	FAG	NSK	NTN	KOYO	TIMKEN
31.70	9.70			190RV2702	4R3818	38FC27170A	
36.80	10.90	314199B	508657	190RV2701	4R3821/4R3817	314199	190RY1543
42.10	11.70	314049C	510199	190RV2801	4R3823/4R3830	38FC28200	
42.10	16.20	313583					
44.90	11.60					38FC29190	
22.30	7.50			200RV2521			
19.60	6.80						
28.30	9.60	314553	522742B		4R4039	314553	200RY1544
29.50	8.60				4R4054	40FC28152BW	
32.70	9.60	314385	507344		4R4048	40FC28170	200RY1566
33.70	10.10		549864	200RV2804			
35.30	10.70					40FC28188	
36.70	11.30			200RV2803	4R4026	40FC28190A	
37.50	11.30	313893	508726	200RV2802	4R4037	313893-1	200RY1567
39.20	12.40			200RV2801	4R4027	40FC28200	
27.90	8.90						
42.50	12.90	313811	512580B	200RV2901	4R4041	313811	200RY1585
42.50	6.40						
44.60	13.80					40FC31160	
55.80	15.30		524373				
56.60	14.70					40FC31206	
65.40	8.90		503901.N12BA	200RV3102			
70.20	9.50		514958				
69.90	17.50			200RV3231			
38.40	12.40						
38.70	13.40	313646	507628	210RV2901	4R4206	42FC29192	210RY1584A
38.40	11.00						
48.20	13.60					42FC30210	
48.00	6.71						
33.80	10.20				4R4413		
30.70	8.40					44FC30150W	
32.80	11.30				4R4419/4R4445		
39.30	11.90						

四列圆柱滚子轴承 Four-row Cylindrical Roller Bearings

外形尺寸(毫米) Boundary dimensions(mm)					基本额定负荷 (千牛) Basic load ratings(kN)		极限转速(转/分) Speed rating (rpm)		型号 Designations
d	D	B	Fw	r _{min}	Cr	Cor	脂润滑 Grease	油润滑 Oil	
220	310	157	246	2.5	998	2708	1450	1770	FC4462157
	310	190	246	2.1	1263	3438	1450	1750	FC4462190
	310	192	246	2.1	1340	3650	1450	1750	FC4462192
	310	192	247	2.5	1350	3550	1450	1750	FC4462192A
	310	192	245	3.0	1450	2980	1400	1700	FC4462192A1
	310	204	247	2.5	1420	3750	1450	1770	FC4462204
	310	215	242	2.1	1635	4210	1450	1770	FC4462215
	310	215	242	2.1	1635	4210	1450	1770	FCD4462215
	310	225	244	2.5	1510	4217	1450	1770	FC4462225A1
	310	225	244	2.5	1510	4217	1450	1770	FCD4462225A1
	310	225	245	2.1	1470	4160	1450	1770	FC4462225A
	310	225	246	2.1	1350	3980	1400	1700	FC4462225
	320	160	245	3.0	1385	3165	1450	1770	FC4464160
	320	210	246	2.5	1560	3600	1400	1700	FC4464210A
	320	210	248	2.1	1400	3530	1400	1700	FC4464210
	320	210	248	2.1	1400	3530	1400	1700	FCD4464210
330	230	249	2.1	2400	4150	1400	1700	FC4466230	
340	180	256	3.0	1500	2750	1300	1550	FC4468180	
340	192	246	2.1	1820	3600	1300	1550	FC4468192	
340	290	250	4.0	3150	5600	1100	1300	FC4468290	
340	290	250	4.0	3150	5600	1100	1300	FCD4468290	
230	330	170	260	2.1	1215	3228	1360	1600	FC4666170
	330	206	258	2.5	1520	3900	1360	1600	FC4666206A
	330	206	260	2.1	1490	4000	1360	1600	FC4666206
	340	260	261	2.1	1920	5360	1360	1600	FC4668260
	340	260	261	2.1	1920	5360	1350	1600	FCD4668260
	365	250	266	3.0	2400	5380	1250	1500	FC4673250
365	250	266	3.0	2400	5380	1250	1500	FCD4673250	
240	330	180	265	2.1	2040	3900	1360	1600	FC4866180
	330	220	264	2.5	1370	3790	1280	1580	FC4866220
	330	220	264	2.1	1460	4220	1280	1580	FCD4866220
	330	220	268	3.0	1490	4150	1280	1580	FC4866220A
	330	220	270	3.0	1500	4100	1280	1580	FC4866220A1

四列圆柱滚子轴承 Four-row Cylindrical Roller Bearings

重量(千克) Weight(kg)		相当于国外型号(参考) Equivalent to foreign designations(For your information)					
成套 Complete set	内圈 Inner ring	SKF	FAG	NSK	NTN	KOYO	TIMKEN
39.70	11.73						
47.20	14.19						
48.60	14.20	313839	507333		4R4426	313837A	220RY 1621
48.60	15.00			220RV 3101	4R4410	313837-1	
43.90	14.10					44FC31192W	
49.80	15.90				4R4425		
51.50	13.47				4R4420		
51.50	6.74						
54.20	15.45	313894B	514461		4R4449	44FC31225A	
54.20	7.73						
54.20	15.90		506869	220RV 3102	4R4416		
57.70	15.50						
46.50	11.30				4R4428		
57.30	15.50			220RV 3203	4R4444	44FC32210	
55.10	16.97		509216	220RV 3201	4R4429	44FC32210-1	
55.10	8.49						
67.40	19.00	314889/VJ202	541452				
59.00	18.60					44FC34180A	
65.60	14.20						
94.50	25.20						
94.50	12.60		525147				
47.40	15.20						
58.60	17.20				4R4614		
56.40	18.40	313824	508727B	230RV 3301	4R4610	313824A	230RY 1667
81.10	24.10			230RV 3401	4R4611	46FC34260	
81.10	12.05						
100.00	27.50	313581A	529113				
100.00	13.76			230RV 3601			
46.90	13.60	635194A	504547				
56.80	16.10				4R4819	48FC33220	
56.80	8.05						
57.10	19.00				4R4821	48FC33220BW	
58.40	20.80	313921	508368	240RV 3301	4R4811/4R4804	312943/1YD	240RY 1668

四列圆柱滚子轴承 Four-row Cylindrical Roller Bearings

外形尺寸(毫米) Boundary dimensions(mm)					基本额定负荷 (千牛) Basic load ratings(kN)		极限转速(转/分) Speed rating (rpm)		型号 Designations
d	D	B	Fw	r _{min}	Cr	Cor	脂润滑 Grease	油润滑 Oil	
240	330	250	263	2.1	2160	4910	1300	1600	FC4866250
	340	192	266	2.1	1480	4090	1230	1550	FC4868192
	340	200	266	3.0	2360	4110	1300	1600	FC4868200
	340	220	268	3.0	1850	4710	1230	1550	FC4868220
	340	220	268	3.0	1850	4710	1230	1550	FCD4868220
	350	220	270	2.1	1630	4260	1230	1550	FCD4870220
	360	220	272	2.5	1880	4750	1230	1550	FC4872220
	360	220	274	2.5	1760	4050	1230	1550	FC4872220A
	360	290	270	4.0	3350	5750	1230	1550	FC4872290
	360	290	270	4.0	3350	5750	1230	1550	FCD4872290
250	340	170	274	3.0	1200	3540	1230	1550	FC5068170
	340	220	274	2.1	1590	4950	1230	1550	FC5068220
	340	220	274	2.1	1590	4950	1230	1550	FCD5068220
	340	230	276	3.0	1590	4950	1230	1550	FC5068230
	340	230	276	3.0	1590	4950	1230	1550	FCD5068230
	350	220	278	3.0	1740	4400	1230	1550	FC5070220
	350	220	278	3.0	1740	4400	1230	1550	FCD5070220
	350	230	278	3.0	1610	4570	1200	1500	FC5070230
	360	220	282	3.0	1800	4600	1200	1500	FC5072220
	260	355	260	286	2.1	2090	5000	1100	1400
360		192	288	3.0	1274	3468	1100	1400	FC5272192
	360	200	288	3.0	1483	4217	1100	1350	FC5272200
	360	230	292.5	2.1	2140	4900	1100	1400	FC5272230A
	360	230	292	2.1	2020	4790	1100	1400	FC5272230
	360	260	287	2.5	2185	5985	1180	1450	FC5272260
	360	260	287	2.5	2185	5985	1180	1450	FCD5272260
	370	200	292	3.0	1700	4430	1180	1450	FC5274200
	370	200	292	3.0	1710	4100	1180	1450	FCD5274200
	370	220	290	3.0	2180	4480	1100	1400	FC5274220A
	370	220	292	3.0	1964	4650	1180	1450	FC5274220
	370	230	292	3.0	1828	5210	1100	1400	FC5274230
	370	260	290	2.1	2640	5740	1100	1400	FC5274260
	380	220	292	3.0	2150	4750	1180	1450	FC5276220

四列圆柱滚子轴承 Four-row Cylindrical Roller Bearings

重量(千克) Weight(kg)		相当于国外型号(参考) Equivalent to foreign designations(For your information)					
成套 Complete set	内圈 Inner ring	SKF	FAG	NSK	NTN	KOYO	TIMKEN
63.70	17.50					48FC33250W	
55.00	15.40						
60.50	16.00		512972			48FC34200	
61.80	19.29		513703	240RV 3403	4R4806	48FC34220	
61.80	9.65						
70.70	10.20						
78.40	22.00			240RV 3601			
79.60	23.50				4R4807/4R4813		
99.30	27.40						
99.30	13.68		514959				
44.30	13.20						
58.10	17.06						
58.10	8.53						
59.70	19.39		522310				250RY1681
59.70	9.70						
66.20	19.80			250RV 3501	4R5008	50FC35220	
66.20	9.81						
72.70	21.00						
74.90	22.90						
74.50	11.10			260RV 3521		52FC35260	
60.10	17.80						
62.00	18.70						
69.70	25.80					52FC36230CW	
72.60	25.00					52FC36230D	
81.50	23.40				4R5231		
81.50	11.70					52FC36260	
70.00	21.80						
70.00	10.89						
75.00	22.20					313823A	
76.60	23.70	313823	507336	260RV 3701	4R5217/4R5208	313823	260RY1744
78.60	24.80						
88.50	26.20					52FC37260	
83.20	23.70						

四列圆柱滚子轴承 Four-row Cylindrical Roller Bearings

外形尺寸(毫米) Boundary dimensions(mm)					基本额定负荷 (千牛) Basic load ratings(kN)		极限转速(转/分) Speed rating (rpm)		型号 Designations
d	D	B	Fw	r _{min}	Cr	Cor	脂润滑 Grease	油润滑 Oil	
260	380	280	294	3.0	2270	6520	1100	1400	FC5276280
	380	280	294	3.0	2520	6610	1100	1400	FCD5276280
	400	290	296	4.0	1800	4720	1050	1300	FC5280290
	400	290	296	4.0	2710	7100	1050	1300	FCD5280290
	400	335	294	4.0	4300	7200	980	1220	FCD5280335
270	380	230	298	3.0	1830	4960	1100	1380	FC5476230
	380	275	298	3.0	2230	6380	1100	1380	FC5476275
	380	280	297	2.5	2495	6730	1100	1380	FC5476280
	380	280	297	2.5	2495	6730	1100	1380	FCD5476280
	390	220	306	3.0	1840	5040	1090	1350	FC5478220
	390	240	298	3.0	2406	5686	1090	1350	FC5478240
	390	240	298	3.0	2210	5770	1090	1350	FCD5478240
	400	220	305	3.0	1840	4570	1090	1350	FC5480220
280	350	208	298	2.5	1540	4995	1200	1500	FC5670208
	375	200	307	3.0	1888	5835	1090	1340	FC5675200
	380	170	306	2.1	1710	3590	1090	1340	FC5676170
	380	192	310	3.0	1420	4180	1090	1340	FC5676192
	380	290	308	3.0	1888	5835	1090	1340	FC5676290
	380	290	308	3.0	1888	5835	1090	1340	FCD5676290
	390	220	306	3.0	2520	5350	1000	1300	FC5678220A1
	390	220	308	3.0	2180	4670	1000	1300	FC5678220A
	390	220	312	3.0	1800	5335	1090	1340	FC5678220
	390	220	312	3.0	1800	5335	1090	1340	FCD5678220
	390	240	312	3.0	1840	5420	1090	1340	FC5678240
	390	240	312	3.0	1970	5850	1090	1340	FCD5678240
	390	275	308	3.0	2250	6500	1090	1340	FC5678275
	390	275	308	3.0	2250	6500	1090	1340	FCD5678275
	390	275	309	2.1	2680	6110	1000	1300	FC5678275A1
	390	275	312	3.0	2140	6460	1090	1340	FC5678275A
	390	275	312	3.0	2140	6460	1090	1340	FCD5678275A
	400	244	312	4.0	2300	6000	1030	1270	FC5680244
400	244	312	4.0	2300	6000	1030	1270	FCD5680244	
400	255	314	3.0	2006	5700	970	1190	FC5680255	

四列圆柱滚子轴承 Four-row Cylindrical Roller Bearings

重量(千克) Weight(kg)		相当于国外型号(参考) Equivalent to foreign designations(For your information)					
成套 Complete set	内圈 Inner ring	SKF	FAG	NSK	NTN	KOYO	TIMKEN
110.00	32.50			260RV3801	4R5213	52FC38280	
110.00	16.25						260RY1763
134.00	35.50			260RV4001			
134.00	17.75	313427B	518214		4R5218		
151.00	19.30		521065				
82.70	22.60			270RV3801		54FC38230	
97.30	26.60						
105.00	29.10				4R5407		
105.00	14.55				4R5405		
86.30	27.80						
91.30	23.50						
91.30	11.77						
95.50	27.20						
46.40	13.10				4R5614		
65.10	19.40						
55.00	15.90					56FC38170W	
63.20	20.50					56FC38192	
100.00	29.40						
100.00	14.70						
79.70	20.00					313822C	
79.70	21.60					313822A	
80.90	25.50	313822	507339B	280RV3901	4R5611/4R5604	313822/313822D	280RY1783
80.90	12.75						
88.10	28.00			280RV3902		56FC39240	
88.10	14.02						
105.00	31.70						
105.00	15.85	314719C	527104	280RV3903		56FC39275J	280RY1782
105.00	28.10					56FC39275B	
105.00	32.10		513729A		4R5612	56FC38275	
105.00	16.06						
105.00	28.50						
105.00	14.25						
109.00	31.80						

四列圆柱滚子轴承 Four-row Cylindrical Roller Bearings

外形尺寸(毫米) Boundary dimensions(mm)					基本额定负荷 (千牛) Basic load ratings(kN)		极限转速(转/分) Speed rating (rpm)		型号 Designations
d	D	B	Fw	r _{min}	Cr	Cor	脂润滑 Grease	油润滑 Oil	
280	400	285	316	4.0	3400	6400	970	1190	FCD5680285
	410	300	313	4.0	3900	6950	950	1150	FCD5682300
	420	280	318	3.0	2600	6800	950	1150	FCD5684280
	420	280	323	4.0	2430	6150	950	1150	FC5684280A
290	390	234	320	3.0	2270	5600	1200	1350	FC5878234
	400	180	320	4.0	1472	4036	1200	1350	FC5880180
	410	220	320	4.0	2160	5730	1200	3400	FC5882220
	410	240	320	4.0	2300	6200	1040	1280	FC5882240
	410	240	320	4.0	2080	5970	1040	1280	FCD5882240
	420	300	327	4.0	2800	7900	1030	1270	FC5884300
	420	300	327	4.0	2870	8330	1030	1270	FCD5884300
	440	310	328	4.0	4300	7200	1000	1200	FC5888310
300	400	300	328	3.0	2620	7875	1030	1270	FC6080300
	400	300	328	3.0	2620	7875	1030	1270	FCD6080300
	420	218	332	4.0	1880	5050	1030	1270	FC6084218
	420	240	332	4.0	2225	6100	1030	1270	FC6084240
	420	240	332	4.0	2225	6100	1030	1270	FCD6084240
	420	240	334	3.0	2020	5450	1030	1270	FC6084240A
	420	240	336	3.0	2010	5450	900	1100	FC6084240A1
	420	300	331	3.0	2990	8150	1030	1270	FCD6084300A
	420	300	332	4.0	2720	8130	1030	1270	FC6084300
	420	300	332	3.0	2700	8100	1030	1270	FCD6084300
	420	300	332	3.0	3000	9300	1030	1270	FCDP6084300
	420	300	334	3.0	2720	7600	1030	1270	FC6084300A
	430	240	338	3.0	2570	6445	950	1200	FC6086240
	430	240	338	3.0	2570	6445	950	1200	FCD6086240
	460	270	344	3.0	3190	7420	870	1070	FC6092270
	460	270	344	3.0	3190	7420	870	1070	FCD6092270
460	350	341	4.0	4100	10500	750	970	FCD6092350	
310	420	300	338	3.0	3300	8050	1020	1260	FC6284300
	430	240	344.5	3.0	2495	6590	1020	1260	FC6286240
	440	240	345	3.0	3250	5700	950	1150	FC6288240
	440	240	341	3.0	2820	5730	850	1000	FC6288240A

四列圆柱滚子轴承 Four-row Cylindrical Roller Bearings

重量(千克) Weight(kg)		相当于国外型号(参考) Equivalent to foreign designations(For your information)					
成套 Complete set	内圈 Inner ring	SKF	FAG	NSK	NTN	KOYO	TIMKEN
113.60	18.20	314070/VJ202	513342.N12BA	280RV4021			
132.60	17.90		510350.C4.N12BA				
140.00	19.10						
139.00	43.90				4R5605		
79.70	26.20			290RV3901		58FC39234	
68.50	20.10					58FC40180W	
93.70	24.80						
105.00	26.90			290RV4101	4R5806	58FC41240	
105.00	13.30						
141.00	42.20			290RV4201	4R5805	58FC42300	
141.00	21.20						
164.00	44.10		517796				
104.00	32.50				4R6014	60FC40300A	
104.00	16.27			300RV4021			
94.50	27.00					60FC42218	
106.00	29.60			300RV4201	4R6027	60FC42240	
106.00	14.80						
105.00	31.80				4R6012/4R6017		
105.00	33.90				4R6023		
136.00	17.70				4R6030	60FC42300DW	
132.00	37.40						
132.00	18.70			300RV4221		60FC42300W	
132.00	18.70	314484D	524289B		4R6020/4R6018	4CR300/60FC42300-2	300RX1846
125.00	39.80				4R6015		
115.00	35.90				4R6021		
115.00	18.00						
162.00	47.20				4R6019		
162.00	23.60						
233.00	27.90						
119.00	33.60			310RV4201		62FC42300	
108.00	33.20			310RV4301	4R6202	62FC43240	
115.00	33.90		574469				
113.00	29.90					62FC44240	

四列圆柱滚子轴承 Four-row Cylindrical Roller Bearings

外形尺寸(毫米) Boundary dimensions(mm)					基本额定负荷 (千牛) Basic load ratings(kN)		极限转速(转/分) Speed rating (rpm)		型号 Designations
d	D	B	Fw	r _{min}	Cr	Cor	脂润滑 Grease	油润滑 Oil	
320	440	230	351	3.0	2530	5490	850	1000	FC6488230
	440	240	351	4.0	2120	6100	950	1170	FC6488240
	440	240	351	4.0	2150	6100	950	1170	FCD6488240
	440	300	352	4.0	2700	7660	980	1200	FC6488300
	440	300	352	4.0	2830	8700	980	1200	FCD6488300
	440	300	352	4.0	2830	8700	980	1200	FCDP6488300
	450	240	355	4.0	2400	6700	1010	1250	FC6490240
	450	240	355	4.0	2400	6700	1010	1250	FCD6490240
	450	240	358	3.0	2370	6150	850	1000	FC6490240A
	460	240	364	3.0	3750	7200	850	1000	FC6492240
	460	300	357	4.0	3010	8400	1000	1200	FC6492300
	460	300	357	4.0	3010	8400	1000	1200	FCD6492300
	460	300	357	4.0	3010	8400	1000	1200	FCDP6492300
	460	340	360	4.0	3320	9340	950	1170	FC6492340
	460	340	360	4.0	3320	9340	950	1170	FCD6492340
	460	340	360	4.0	3320	9340	950	1170	FCDP6492340
	470	350	361.7	3.0	3875	10110	950	1170	FCDP6494350
	480	290	361	4.0	4080	8450	800	1000	FCD6496290A
480	290	364	4.0	3520	8640	950	1170	FCD6496290	
480	290	364	4.0	3520	8640	950	1170	FCDP6496290	
480	350	364	4.0	3140	9640	950	1170	FCD6496350	
480	350	364	4.0	3768	10660	950	1170	FCDP6496350	
330	440	200	358	3.0	2340	5220	800	1000	FC6688200A
	440	200	360	3.0	2155	5775	950	1170	FC6688200
	460	340	364	2.1	3860	9150	800	1000	FC6692340A1
	460	340	365	4.0	3340	9180	950	1170	FC6692340
	460	340	365	4.0	3300	9800	950	1170	FCD6692340
	460	340	365	4.0	3300	9800	950	1170	FCDP6692340
	460	340	368	4.0	3300	9550	800	1000	FC6692340A
	460	380	364	2.1	4380	10800	800	1000	FC6692380
340	445	250	367	2.1	2510	6110	800	1000	FC6889250
	450	250	371	4.0	2300	7200	960	1180	FC6890250
	450	250	371	4.0	2300	7200	960	1180	FCD6890250

四列圆柱滚子轴承 Four-row Cylindrical Roller Bearings

重量(千克) Weight(kg)		相当于国外型号(参考) Equivalent to foreign designations(For your information)					
成套 Complete set	内圈 Inner ring	SKF	FAG	NSK	NTN	KOYO	TIMKEN
103.00	28.90					64FC44230/240	
109.00	30.20				4R6414		
109.00	15.10						
135.00	39.80						
135.00	19.89						
135.00	19.89						
118.00	34.70					64FC45240	
118.00	17.35						
125.00	37.50			320RV4501	4R6411	4CR3 20/64FC452.40CW	
138.00	44.20		804571				
164.00	46.30						
164.00	23.20			320RV4502			
164.00	23.20						
186.00	57.00				4R6412	64FC46340A	
186.00	28.50						
186.00	28.50						
212.00	30.00				4R6406		
189.00	24.30					64FC48290	
185.00	26.90						
185.00	26.90						
228.00	32.50		541851			314274A	
228.00	32.50	314274B	513654A	320RV4811			
83.40	23.80					66FC44200AW	
83.60	25.50			330RV4401	4R6603/4R6608	66FC44200W	
172.00	49.50					66FC46340	
181.00	51.00			330RV4601	4R6605		
181.00	25.50		543447				
181.00	25.50	313445C	521593A				330RX1922
177.00	55.60				4R6602	66FC46340B	
195.00	55.30					66FC46380W	
100.00	29.10					68FC45250W	
108.00	33.40			340RV4501			
108.00	16.70						

四列圆柱滚子轴承 Four-row Cylindrical Roller Bearings

外形尺寸(毫米) Boundary dimensions(mm)					基本额定负荷 (千牛) Basic load ratings(kN)		极限转速(转/分) Speed rating (rpm)		型号 Designations
d	D	B	Fw	r _{min}	Cr	Cor	脂润滑 Grease	油润滑 Oil	
340	450	250	368	4.0	2300	7200	960	1180	FC6890250A
	460	260	370	4.0	2380	7600	950	1170	FC6892260
	460	260	370	4.0	2374	6749	950	1170	FCD6892260
	480	280	374	4.0	3880	8050	900	980	FC6896280
	480	280	374	4.0	3880	8050	900	980	FCD6896280
	480	350	376	4.0	4840	11400	750	950	FCD6896350A
	480	350	378	4.0	3430	10060	900	980	FCD6896350
	480	350	378	7X20°	3860	10600	900	980	FCDP6896350
	480	370	378	5.0	3450	9650	750	950	FC6896370
	480	385	378	2.1	4780	11500	750	950	FCD6896385
	490	300	377	4.0	3350	8300	900	980	FC6898300
	490	300	380	5.0	3100	7950	900	980	FC6898300A
	490	300	379	5.0	3680	7850	750	950	FC6898300A1
	500	370	385	6.0	4510	13450	850	950	FCD68100370
	500	370	385	6.0	4510	13450	850	950	FCDP68100370
	560	380	396	4.0	7650	12200	650	830	FCD68112380
350	500	380	389	4.0	4050	11400	900	980	FCD70100380
	500	380	389	4.0	4500	13450	900	980	FCDP70100380
	500	410	388	11.5X20°	5800	13500	900	980	FCD70100410
	500	410	388	11.5X20°	5800	13500	900	980	FCDP70100410
	500	460	388	2.0	6570	16500	900	980	FCD70100460
	520	300	401	5.0	3300	9000	900	980	FCD70104300
520	300	401	5.0	3300	9000	900	980	FCDP70104300	
360	480	290	392	3.0	3470	8510	700	900	FC7296290
	480	290	394	3.0	3250	8300	700	900	FC7296290A
	500	250	394	3.0	3350	7765	900	980	FCD72100250
	510	370	397	4.0	3930	11720	700	900	FCD72102370A
	510	370	400	4.0	3730	10980	900	980	FC72102370
	510	370	400	4.0	3756	9870	900	980	FCD72102370
	510	380	399	4.0	4020	12070	900	980	FCD72102380
	510	400	397	5.0	4250	11500	900	980	FC72102400
	510	400	399	4.0	4545	12845	900	980	FCD72102400
	520	380	405	4.0	3750	11000	880	970	FCD72104380

四列圆柱滚子轴承 Four-row Cylindrical Roller Bearings

重量(千克) Weight(kg)		相当于国外型号(参考) Equivalent to foreign designations(For your information)					
成套 Complete set	内圈 Inner ring	SKF	FAG	NSK	NTN	KOYO	TIMKEN
108.00	30.20			340RV4502		68FC45250BW	
122.00	34.20						
122.00	17.08						
159.00	41.20						
159.00	20.60			340RV4801			
201.00	27.40					68FC48350L	
201.00	29.50		527634	340RV4812E		68FC48350-2	340RY1963
201.00	29.50	314485C	525837A		4R6819	68FC48350D	
198.00	61.40				4R6811		
209.00	31.80					68FC48350N	
187.00	48.60				4R6804		
189.00	52.50				4R6805	68FC49300	
182.00	51.20					68FC49300A	
253.00	37.20						
253.00	37.20	BC4B322261/HB1	517794				
379.00	47.20		545171				
243.00	33.80	314563/VJ202	532381.N12BA				
243.00	33.80						
268.00	35.50						
268.00	35.50	BC4B322777/HB1	532001				
296.00	39.60					70FC50460	
223.00	35.40	BC4B 326909/HA3					
223.00	35.40		568450				
145.00	42.40					72FC48290	
146.00	45.30			360RV4801			
146.00	19.30	BC2B320075/VJ202				72FC50250	
240.00	31.30						
244.00	69.40			360RV5101	4R7212	72FC51370	
244.00	34.70						
247.00	34.00						
262.00	68.40				4R7203		
251.00	35.80				4R7205		
271.00	40.30		562913				

四列圆柱滚子轴承 Four-row Cylindrical Roller Bearings

外形尺寸(毫米) Boundary dimensions(mm)					基本额定负荷 (千牛) Basic load ratings(kN)		极限转速(转/分) Speed rating (rpm)		型号 Designations
d	D	B	Fw	r _{min}	Cr	Cor	脂润滑 Grease	油润滑 Oil	
360	520	380	405	4.0	4150	12200	880	970	FCDP72104380
370	480	230	400	5.0	2490	7380	880	970	FC7496230
	480	230	400	5.0	2490	7380	880	970	FCD7496230
	480	250	401	3.0	2660	8025	880	970	FC7496250
	480	250	401	3.0	2660	8025	880	970	FCD7496250
	520	380	409	4.0	4190	12890	880	970	FC74104380
	520	380	409	4.0	4190	12890	880	970	FCD74104380
	520	380	409	4.0	5230	12000	880	970	FCDP74104380
	520	400	409	4.0	4440	13390	880	970	FC74104400
	520	400	409	4.0	4440	13390	880	970	FCD74104400
	520	400	409	4.0	4440	13390	880	970	FCDP74104400
	530	400	413	4.0	4433	13402	660	970	FCDP74106400
	540	400	415	4.0	4500	13800	880	970	FC74108400
	540	400	415	4.0	4500	13800	880	970	FCD74108400
	540	400	415	4.0	5050	15300	880	970	FCDP74108400
380	500	290	414	3.0	3350	8800	880	970	FC76100290
	520	280	417	4.0	3395	9385	880	970	FC76104280
	520	280	417	4.0	3395	9385	880	970	FCD76104280
	520	290	417	4.0	3400	9150	670	860	FC76104290A
	520	290	418	4.0	3490	9720	880	970	FC76104290
	520	290	418	4.0	3490	9720	880	970	FCD76104290
	520	300	416	4.0	2800	9620	880	970	FC76104300
	520	300	416	4.0	2800	9620	880	970	FCD76104300
	540	300	421	4.0	3440	9100	880	970	FCD76108300
	540	300	421	8.5X20°	3600	9980	880	970	FCDP76108300
	540	340	422	4.0	4600	10300	880	970	FCD76108340A
	540	340	424	4.0	5250	11900	880	970	FC76108340
	540	340	424	4.0	5250	11900	880	970	FCD76108340
	540	340	424	4.0	5250	11900	880	970	FCDP76108340
	540	360	422	4.0	5480	12900	880	970	FCD76108360
	540	400	422	4.0	4250	13350	888	996	FC76108400
	540	400	422	4.0	4250	13350	888	996	FCD76108400
	540	400	422	4.0	4650	15070	888	996	FCDP76108400

四列圆柱滚子轴承 Four-row Cylindrical Roller Bearings

重量(千克) Weight(kg)		相当于国外型号(参考) Equivalent to foreign designations(For your information)					
成套 Complete set	内圈 Inner ring	SKF	FAG	NSK	NTN	KOYO	TIMKEN
271.00	40.30		517793A			72FC52380	
106.00	32.80				4R7405		
106.00	16.38						
118.00	36.80			370RV4801	4R7408		
118.00	18.40						
256.00	71.20			370RV5211	4R7411		
256.00	35.60		543975			74FC52380	
256.00	35.60	314486A	524678A				370RX2045
273.00	74.90				4R7404		
273.00	37.50						
273.00	37.50						
301.00	41.50						
311.00	87.10			370RV5401		74FC54400A	
311.00	43.60						
311.00	43.60						
153.00	47.60			380RV5001			
174.00	50.20			380RV5202	4R7605	76FC52280	
174.00	25.50						
185.00	52.00				4R7617		
182.00	54.20		576360	380RV5201		76FC52290	
182.00	27.10						
210.00	53.00				4R7607		
210.00	26.50						
217.00	30.40			541982			
217.00	30.40	313030A	545768			76FC54300	380RX2089
256.00	35.00					76FC54340W	
259.00	74.20			380RV5431			
259.00	37.10					76FC54340W	
259.00	37.10						
266.00	37.10					76FC54360	
325.00	83.10				4R7604		
325.00	41.60	BC4B313511B	544794				
325.00	41.60	BC4B326366/HB1	517792	380RV5411	4R7618	76FC54400BW	380RX2087

四列圆柱滚子轴承 Four-row Cylindrical Roller Bearings

外形尺寸(毫米) Boundary dimensions(mm)					基本额定负荷 (千牛) Basic load ratings(kN)		极限转速(转/分) Speed rating (rpm)		型号 Designations
d	D	B	Fw	r _{min}	Cr	Cor	脂润滑 Grease	油润滑 Oil	
380	540	400	424	5.0	4550	12700	670	860	FC76108400A
	560	300	424	13.5X20°	4950	9650	880	950	FCD76112300
	560	300	424	13.5X20°	4950	9650	880	950	FCDP76112300
390	510	290	424	3.0	3400	9000	780	900	FC78102290
	540	320	431	4.0	4200	12000	780	900	FCD78108320
	540	320	431	10x20°	4270	13220	780	900	FCDP78108320
	550	310	430	4.0	4090	8960	780	900	FCD78110310
	550	310	430	4.0	4090	8960	780	900	FCDP78110310
	550	400	434	5.0	5150	12400	780	900	FCD78110400
400	520	250	432	4.0	3000	7700	780	900	FC80104250
	550	300	441	5.0	4460	5050	780	900	FC80110300
	550	300	441	5.0	4460	5050	780	900	FCDP80110300
	560	360	441	5.0	5570	13400	780	900	FCD80112360
	560	400	446	5.0	4250	11800	620	780	FC80112400
	560	400	446	5.0	5650	13600	620	780	FCD80112400
	560	410	445	5.0	4470	14080	780	900	FCD80112410
	560	410	445	13.5X20°	5200	16960	780	900	FCDP80112410
	590	420	450	4.0	5150	13000	620	780	FC80118420
	590	440	450	5.0	5890	16600	750	850	FCD80118440
	590	440	450	5.0	6500	18100	750	850	FCDP80118440
	600	380	450	5.0	6610	14300	620	780	FCD80120380
410	560	400	450	5.0	4460	14400	790	890	FCD82112400
	560	400	450	11X20°	5000	16370	790	890	FCDP82112400
	600	440	460	2.0	5000	15200	790	890	FCD82120440
	600	440	460	5.0	5885	17300	790	890	FCDP82120440
420	560	260	468	4.0	2877	9650	820	935	FCD84112260
	560	280	457	4.0	3150	8750	790	890	FC84112280
	560	400	458	4.0	4870	12700	790	890	FCD84112400
	580	230	466	4.0	2430	6250	790	890	FC84116230
	580	320	463	4.0	3600	10800	790	890	FCD84116320
	600	440	470	5.0	4935	14990	790	890	FCD84120440
	600	440	470	8X20°	5546	17600	790	890	FCDP84120440
	620	400	473	5.0	5420	15470	750	830	FCD84124400

四列圆柱滚子轴承 Four-row Cylindrical Roller Bearings

重量(千克) Weight(kg)		相当于国外型号(参考) Equivalent to foreign designations(For your information)					
成套 Complete set	内圈 Inner ring	SKF	FAG	NSK	NTN	KOYO	TIMKEN
298.00	86.40			380RV5401	4R7613		
260.00	32.70						
260.00	32.70	BC4B322189					
156.00	48.80			390RV5101			
225.00	33.20						
225.00	33.20	BC4B322498	578278				390RX2088
240.00	31.40						
240.00	31.40	313190A					
303.00	44.00			390RV5521		78FC55400AW	
136.00	40.20			400RV5202		80FC52250W	
212.00	63.80			400RV5501			
212.00	31.90						
277.00	37.60					80FC56360	
303.00	94.50				4R8007		
308.00	47.00			400RV5621/400RV5612			
321.00	48.10						
321.00	48.10	313015DC	513769A	400RV5611/400RV5613	4R8010	80FC56410/4CR400	400RX2123
399.00	107.50				4R8011		
408.00	57.70	315802/VJ202	542395				
408.00	57.70		513770				
388.00	49.00					80FC60380	
285.00	42.40		543736				
285.00	42.40	316689	561005				
432.00	59.00						
432.00	59.00	313877B	517436	410RV6011		82FC60440	
210.00	34.20	BC2B320074A/VJ202					
189.00	55.20			420RV5601	4R8403	84FC56280	
270.00	40.10			420RV5602		84FC56400	
181.00	56.20				4R8404		
249.00	36.90	313555B/VJ202	533053.N12BA			86FC58320	
420.00	60.40		545467				
420.00	60.40	313513	517464	420RV6011		4CR420A	
430.00	58.40						

四列圆柱滚子轴承 Four-row Cylindrical Roller Bearings

外形尺寸(毫米) Boundary dimensions(mm)					基本额定负荷 (千牛) Basic load ratings(kN)		极限转速(转/分) Speed rating (rpm)		型号 Designations
d	D	B	Fw	r _{min}	Cr	Cor	脂润滑 Grease	油润滑 Oil	
420	620	400	473	4.0	6140	18260	750	830	FCDP84124400
440	620	450	487	4.0	6020	19000	750	830	FCD88124450
	620	450	487	12X20°	6690	21160	750	830	FCDP88124450
	650	355	494	12.5X20°	5360	12600	500	600	FCD88130355
	650	355	494	12.5X20°	5360	12600	500	600	FCDP88130355
	660	340	492	6.0	5170	12970	500	600	FCD88132340
	660	340	492	6.0	5170	12970	500	600	FCDP88132340
460	650	355	509.5	12X20°	4500	13200	520	620	FCD92130355
	650	355	509.5	12X20°	5020	14600	520	620	FCDP92130355
	650	424	510	12X20°	6000	20240	520	620	FCDP92130424
	650	470	509	12X20°	6100	20200	520	620	FCD92130470
	650	470	509	12X20°	7240	23080	520	620	FCDP92130470
480	600	236	510	3.0	3035	9715	520	620	FC96120236
	600	236	510	3.0	3035	9715	520	620	FCDP96120236
	650	420	522	5.0	5840	17725	520	620	FCDP96130420
	650	450	525	6.0	6650	20200	520	620	FCD96130450
	650	450	525	12X20°	6600	21200	520	620	FCDP96130450
	680	420	528	12X20°	6700	19300	520	620	FCDP96136420
	680	500	532	6.0	7970	22800	520	620	FCD96136500
	680	500	532	12X20°	7600	24000	520	620	FCDP96136500
500	670	450	540	12.5X20°	7300	24580	520	620	FCDP100134450
	680	405	550	5.0	5160	17300	520	620	FCD100136405
	680	405	550	5.0	5160	17300	520	620	FCDP100136405
	680	450	550	5.0	7300	24580	520	620	FCDP100136450
	690	470	547	5.0	6945	20785	520	620	FCDP100138470
	690	510	552	5.0	7400	22555	520	620	FCDP100138510A
	700	515	554	5.0	7690	22880	520	620	FCDP100140515
	710	480	558	18X20°	7040	24040	520	620	FCDP100142480
	720	400	558	6.0	6300	21170	520	620	FCDP100144400
	720	530	568	6.0	8640	25600	520	620	FCD100144530
	720	530	568	13X20°	8640	25600	520	620	FCDP100144530
	510	680	500	560	7.5X20°	7180	26000	520	620
680		500	560	6.0	7180	26000	520	620	FCDP102136500

四列圆柱滚子轴承 Four-row Cylindrical Roller Bearings

重量(千克) Weight(kg)		相当于国外型号(参考) Equivalent to foreign designations(For your information)					
成套 Complete set	内圈 Inner ring	SKF	FAG	NSK	NTN	KOYO	TIMKEN
430.00	58.40	314391/VJ202					
430.00	60.50		545628				
430.00	60.50	314554B	517454A	440RV6213	4R8801/4R8803	4CR440.88FC624.50AW	440RX2245
420.00	55.20						
420.00	55.20	316899A					
430.00	50.80						
430.00	50.80						
380.00	52.50						
380.00	52.50	313031A					
450.00	63.00	315196A	513584A				
510.00	68.80						
510.00	68.80	314560	518846	460RV6511	4R9216	92FC65470W	
155.00	21.60				4R9610		
155.00	21.60						
440.00	54.50						
401.00	62.80		547660				
401.00	62.80	316690B	547659		E-4R9609	96FC65450B	480RX2303B
515.00	62.00	319320	533522				
605.00	81.10						
605.00	81.10	313516D	514445B		4R9604	96FC68500A	
463.00	57.00	316083A		500RV6712E		100FC67450A-3	
453.00	65.60						
453.00	65.60						
500.00	72.00	BC4B316515	546335				
590.00	71.30				4R10016		
600.00	86.00				4R10006		
622.00	90.40				4R10011		
610.00	90.00	316968A	530488	500RV7111		100FC71480	500RX2422
530.00	75.00	BC4B322066				100FC72400	
782.00	118.00						
782.00	118.00	314441B	513378A		4R10015/4R10024	100FC72530	500RX2443
522.00	82.50						
522.00	82.50	BC4B319411	567725A				510RX2364

四列圆柱滚子轴承 Four-row Cylindrical Roller Bearings

外形尺寸(毫米) Boundary dimensions(mm)					基本额定负荷 (千牛) Basic load ratings(kN)		极限转速(转/分) Speed rating (rpm)		型号 Designations
d	D	B	Fw	r _{min}	Cr	Cor	脂润滑 Grease	油润滑 Oil	
510	730	520	569	17.5X20°	7610	19800	520	620	FCDP102146520
	760	550	570	16X20°	9680	23800	520	620	FCDP102152550
520	700	540	564	6.0	7635	24640	520	620	FCDP104140540
	730	535	574.5	5.0	8425	24800	520	620	FCDP104147535
530	700	540	574	6.0	7445	24965	520	620	FCDP106140540
	760	520	587	12X20°	9360	25600	520	620	FCDP106152520
	780	500	591	6.0	8300	22600	520	620	FCD106156500
	780	500	591	6.0	8300	22600	520	620	FCDP106156500
	780	570	601	14X20°	10200	29200	520	620	FCDP106156570
550	740	510	600	15X20°	8080	24300	500	600	FCDP110148510
	800	520	612	14X20°	9360	26500	500	600	FCD110160520
	800	520	612	14X20°	9360	26500	500	600	FCDP110160520
	800	560	610	18.5X20°	9680	28000	500	600	FC110160560
	800	560	610	18.5X20°	9680	28000	500	600	FCDP110160560
560	680	360	590	3.0	4545	17145	500	600	FC112136360
	680	360	590	3.0	4545	17145	500	600	FCDP112136360
	800	600	620	7.5	13000	33500	500	600	FCDP112160600
	820	600	625	20X20°	14200	34000	500	600	FCDP112164600
	820	630	625	3.0	14400	36000	500	600	FCDP112164630
570	750	530	622	5.0	7490	28000	450	500	FCDP114150530
	800	514	626	6.0	9290	30160	450	500	FCDP114160514
	815	594	628	6.0	11570	36190	450	500	FCDP114163594
	830	600	635	6.0	11200	36500	450	500	FCDP114166600
590	820	590	649	6.0	12800	35100	450	500	FCDP118164590
600	820	575	660	15X20°	10000	36000	450	500	FCDP120164575
	870	540	672	22X20°	11880	31500	450	500	FCDP120174540
	870	640	672	20X20°	12560	40000	450	500	FCDP120174640
610	820	430	665	19X20°	7190	23600	450	500	FCDP122164430
	870	660	680	20X20°	12230	43620	450	500	FCDP122174660
630	800	360	675	5.0	6850	19500	450	500	FCD126160360
	800	360	675	5.0	6850	19500	450	500	FCDP126160360
	900	670	698	6.0	13920	45950	450	500	FCDP126180670
	920	515	700	7.5	13700	17160	450	500	FCD126184515

四列圆柱滚子轴承 Four-row Cylindrical Roller Bearings

重量(千克) Weight(kg)		相当于国外型号(参考) Equivalent to foreign designations(For your information)					
成套 Complete set	内圈 Inner ring	SKF	FAG	NSK	NTN	KOYO	TIMKEN
750.00	101.00						510RX2461
950.00	109.00	BC4-8007/HB1	517690				
658.00	79.40				4R10403		
750.00	98.40			520RV7331	4R10402	104FC74535	
626.00	80.90				4R10603		
800.00	101.00	314886A	531597				530RX2522
805.00	103.00	315040/VJ202					
805.00	103.00						
952.00	140.00	314517A	517689A	530RV7811	4R10602		
622.00	89.00	316691	532843			110FC74510	550RX2484
895.00	116.00						
895.00	116.00						
930.00	240.00	BC4B322719/HB1					
930.00	120.00		517688				
265.00	76.60				4R11202		
265.00	38.30						
1020.00	131.00			560RV8011		112FC80600	
1080.00	143.00	BC4B322930/HA4	517687A			112FC82600	560RX2644
1240.00	149.00		526708				
660.00	100.00						
850.00	106.00				4R11404	114FC80514A	
964.00	127.00			570RV8111	4R11402	114FC81594	
1200.00	145.00		517686				
990.00	133.00					118FC82590	
910.00	133.00	315175A	528518	600RV8212E	4R12006	120FC82575B	600RX2643A
1150.00	151.00	315068A	533259		4R12002		
1340.00	206.00	315513	517684A	600RV8713	4R12001	120FC87640	600RX2744
652.00	92.10	315257A					
1370.00	184.00			610RV8711	4R12202	122FC87660	
440.00	65.20						
440.00	65.20					126FC80360	
1525.00	187.00		517683				
1182.00	148.00						

四列圆柱滚子轴承 Four-row Cylindrical Roller Bearings

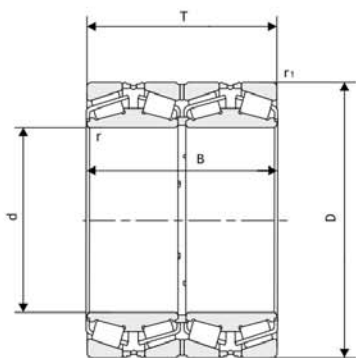
外形尺寸(毫米) Boundary dimensions(mm)					基本额定负荷 (千牛) Basic load ratings(kN)		极限转速(转/分) Speed rating (rpm)		型号 Designations
d	D	B	Fw	r _{min}	Cr	Cor	脂润滑 Grease	油润滑 Oil	
630	920	515	700	7.5	13700	17160	450	500	FCDP126184515
650	900	650	704	20X20°	13230	41500	450	500	FCDP130180650
	920	670	723	14X20°	13230	46500	450	500	FCDP130184670
	920	680	723	7.5	12935	39415	450	500	FCDP130184680
	920	690	723	7.5	14500	45000	450	500	FCDP130184690
660	820	440	702	7.5	7450	22700	400	480	FCDP132164440
	880	450	727	6.0	7500	23500	400	480	FCDP132176450
680	940	600	743	8.0	16900	43400	400	480	FCDP136188600
	980	640	760	20X20°	17600	44800	400	480	FCDP136196640
	1020	650	803	6.0	14640	40185	400	480	FCDP136204650
	1020	680	775	6.0	20000	49500	400	480	FCDP136204680
690	980	715	767.5	20X20°	15230	51300	400	480	FCDP138196715
	980	750	766	20X20°	17000	53000	400	480	FCDP138196750
700	930	620	763	18X20°	12080	40850	350	450	FCDP140186620
	980	700	774	20X20°	17800	48200	350	450	FCDP140196700
	1000	710	770	4.0	19000	47500	350	450	FCDP140200710
710	1000	715	787.5	17X20°	18000	53200	350	450	FCDP142200715
	1020	710	785	4.0	19500	49700	350	450	FCDP142204710
730	940	500	780	20X20°	11800	47000	350	450	FCDP146188500
	960	620	790	20X20°	14600	49000	350	450	FCDP146192620
	1030	750	809	20X20°	18800	55500	350	450	FCDP146206750
750	1000	500	816	6.0	10400	35200	300	400	FCDP150200500
	1000	670	813	20X20°	15000	47500	300	400	FCDP150200670
	1130	670	848	6.0	21000	50500	300	400	FCDP150226670
760	1030	750	828	7.5	21000	61200	300	400	FCDP152206750
780	1070	780	853	13X20°	20100	57900	300	400	FCDP156214780

四列圆柱滚子轴承 Four-row Cylindrical Roller Bearings

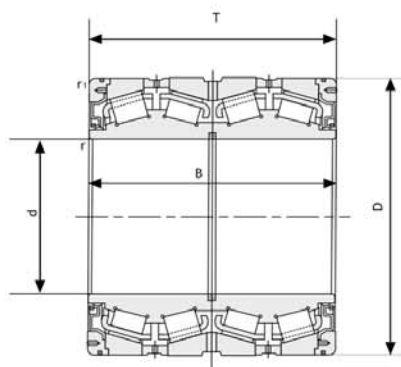
重量(千克) Weight(kg)		相当于国外型号(参考) Equivalent to foreign designations(For your information)					
成套 Complete set	内圈 Inner ring	SKF	FAG	NSK	NTN	KOYO	TIMKEN
1182.00	148.00						
1260.00	145.00	BC4-8002/HA6					650RX2803A
1460.00	205.00	313007C	515194A	650RV9212	4R13005	130FC92670	650RX2841C
1510.00	210.00				4R13010		
1520.00	213.00			650RV9211	4R13003		
530.00	77.00				4R13201		
785.00	128.00						
1260.00	162.00		533683				
1590.00	268.00	313154C	524229				
1970.00	366.00				4R13603		
2060.00	290.00				4R13604	4CR680D	
1780.00	245.00	313008A	517681	690RV9831	4R13802	138FC98715	690RX2965
1850.00	251.00			690RV9812	4R13803	138FC98750A	690RX2966
1197.00	175.00	316967	530487	700RV9311	E-4R14003		700RX2862
1748.00	232.00			700RV9821		140FC98700	700RX2964A
1810.00	276.00					140FC100710W	
1860.00	252.00	313403C	517680A	710RV1011	4R14205		700RX3006
1940.00	245.00						
872.00	113.00		526447				
1220.00	173.00	315982	525438	730RV9611			730RX2922
2040.00	276.00	314518B	517679	730RV1011		146FC103750	730RX3064
1150.00	149.00	314420/VJ202					
1480.00	202.00	315973	524881A	750RV1011		150FC100670	750RX3005
2460.00	324.00					150FC113670	
2000.00	250.00				4R15204	152FC103750	
2300.00	282.00	BC4-8015/HB1	540088				780RX3141



四列圆锥滚子轴承
Four-row Tapered
Roller Bearings



1



2

四列圆锥滚子轴承(公制) Four-row Tapered Roller Bearings(Metric Size)

外形尺寸(毫米) Boundary dimensions(mm)						基本额定负荷 (千牛) Basic load ratings(kN)		极限转速(转/分) Speed rating (rpm)		型号 Designations	重量(千克) Weight(kg)
d	D	B	T	r _{min}	r _{1min}	Cr	Cor	Grease	Oil		
150	210	165	165	2.5	2.0	660	1590	800	1000	382930X2	21.20
	225	136	136	3.0	2.5	595	1460	800	1000	382030X2	17.70
170	260	230	230	3.0	2.5	1030	3100	670	850	382034X2	43.00
180	250	169	190	2.5	2.0	870	2100	670	850	352936X2D	28.00
	250	207	207	2.5	0.7	1000	2250	670	850	352936X2/DF-1	28.40
	260	185	185	2.5	2.0	1110	2700	670	850	382936X1	34.00
	260	200	200	2.2	2.0	1020	2640	670	850	382936X3	28.40
280	180	180	3.0	2.5	920	2540	670	850	380636	39.60	
	200	310	200	3.0	2.5	1350	2170	620	800	380640	55.60
310	275	275	3.0	2.5	1520	4200	620	800	382040	75.10	
	205	320	205	205	4.0	3.0	1160	2850	620	800	380641
220	320	200	200	1.0	3.0	1730	4000	620	800	380644	55.00
	340	305	305	4.0	3.0	2800	5950	500	630	382044	99.50
240	338	248	248	4.0	4.0	1830	4500	500	600	380648	69.00
	340	310	310	4.0	3.0	2030	5400	500	600	382048X1	93.60
	360	310	310	4.0	3.0	2110	5610	450	560	382048	90.50
250	385	255	255	5.0	5.0	2310	5350	450	560	380650-1	107.00
	460	270	270	5.0	4.0	2470	6400	450	560	380650	192.00
260	360	265	265	3.0	2.5	1760	4720	450	560	382952	81.00
	370	256	256	3.0	2.5	2000	5960	450	530	382952X1	96.00
	400	255	255	5.0	4.0	2620	5800	430	530	381052X2	123.00
	400	345	345	5.0	4.0	2790	7140	430	530	382052	153.00
280	380	265	265	3.0	2.5	2000	2330	430	530	382956	91.00
	380	324	324	3.0	2.5	2250	4480	420	510	382956X2	112.00
	395	288	288	2.0	6.0	2890	7450	420	510	380656-1	116.00
	420	250	250	5.0	5.0	1690	5300	420	510	380656	119.00
	460	324	324	5.0	4.0	3680	8350	360	450	381156	219.00
300	420	300	300	4.0	3.0	2330	7120	380	480	382960	130.00
	420	310	310	4.0	3.0	2420	8100	380	480	380660	134.00
	460	390	390	5.0	4.0	3180	9330	360	450	382060	219.00
	500	350	350	5.0	4.0	3000	8900	340	430	381160X2	280.00
	500	370	370	5.0	4.0	3390	8710	340	430	381160	285.00
320	480	380	380	5.0	4.0	3180	9330	340	430	382064X2	252.00

四列圆锥滚子轴承(公制)Four-row Tapered Roller Bearings(Metric Size)

外形尺寸(毫米) Boundary dimensions(mm)						基本额定负荷 (千牛) Basic load ratings(kN)		极限转速 (转/分) Speed rating (rpm)		型号 Designations	重量 (千克) Weight(kg)
d	D	B	T	r _{smin}	r _{1smin}	Cr	Cor	Grease	Oil		
320	540	406	406	5.0	4.0	5500	14800	300	380	381164	400.00
330	480	380	380	5.0	4.0	3650	11000	300	380	380666	228.00
340	460	310	310	4.0	3.0	2480	8100	340	430	382968	145.00
	520	325	325	5.0	4.0	3100	8620	320	400	381068	234.00
	580	425	425	5.0	4.0	4580	11700	280	360	381168	441.00
355	490	316	316	1.5	3.3	4100	10900	340	430	380671	186.00
360	480	310	310	4.0	3.0	2977	8030	300	380	382972	164.00
	480	375	375	4.0	4.0	3250	11800	300	380	380672	197.00
	510	370	370	5.0	4.0	4350	12400	300	370	380672-1	251.00
	510	380	380	2.0	6.0	5500	14200	300	370	380672-2	256.00
	540	325	325	5.0	4.0	3360	8840	300	380	381072	248.00
380	600	420	420	5.0	4.0	6360	17180	280	380	381172	502.00
	550	330	350	5.0	5.0	2740	9450	280	380	380676-1	273.00
	560	325	325	5.0	4.0	3360	8840	280	380	381076	281.00
	620	388	388	6.0	6.0	3800	11600	240	360	380676	443.00
395	620	420	420	5.0	4.0	4710	12300	240	360	381176	487.00
	545	268.7	288.7	5.0	4.0	2960	7990	240	360	380679	194.00
400	540	280	280	3.7	7.5	2690	6500	240	360	380680-1	187.00
	540	400	400	5.0	5.0	6980	13300	240	360	380680	262.00
	600	356	356	5.0	4.0	4160	10400	240	320	381080	317.00
420	560	437	437	5.0	5.0	7900	16300	220	300	380684	298.00
	620	356	356	5.0	4.0	4160	10400	220	300	381084	360.00
	700	480	480	6.0	5.0	6780	18500	220	280	381184	760.00
	760	500	500	8.0	3.0	5540	11980	190	260	380284X2	1040.00
430	570	336.6	336.6	1.5	3.3	4850	13800	220	300	380686	241.00
	575	380	380	1.5	5.0	6200	16200	200	280	380686-1	282.00
440	580	420	420	4.5	6.7	5900	17300	200	280	380688-1	302.00
	620	454	454	6.0	6.0	6650	18800	200	220	380688	432.00
	650	355	355	6.0	5.0	5900	12700	275	458	380688X2/HC	410.00
	650	376	376	6.0	5.0	5942	12900	200	220	381088	401.00
	720	480	480	6.0	5.0	6160	14700	180	280	381188	812.00
450	580	450	450	3.0	6.0	6000	19300	180	280	380690	282.00
	595	368	368	3.0	6.0	5400	16000	200	280	380690-1	287.00

四列圆锥滚子轴承(公制)Four-row Tapered Roller Bearings(Metric Size)

外形尺寸(毫米) Boundary dimensions(mm)						基本额定负荷 (千牛) Basic load ratings(kN)		极限转速 (转/分) Speed rating (rpm)		型号 Designations	重量 (千克) Weight(kg)
d	D	B	T	r _{smin}	r _{1smin}	Cr	Cor	Grease	Oil		
460	610	400	400	2.5	4.0	6000	17000	200	240	380692-1	316.00
	620	310	310	4.0	3.0	3360	10200	200	240	381992	280.00
	625	421	421	3.0	9.0	4950	19800	200	240	380692-2	382.00
	650	474	474	6.0	6.0	7050	20000	200	240	380692	506.00
	680	410	410	6.0	5.0	5130	13200	180	200	381092	476.00
475	730	440	440	7.5	6.0	5860	14200	180	200	381192X3	740.00
	600	368	368	2.0	6.0	5100	16000	200	240	380695	251.00
	660	450	450	4.0	6.0	8410	22000	200	240	380695-1	462.00
480	625	485	485	4.0	3.0	4900	16500	190	250	380696	278.00
	650	338	338	5.0	4.0	3390	10500	190	220	381996	301.00
	700	420	420	6.0	5.0	5780	16900	170	180	381096	547.00
490	625	385	385	7.0	4.0	5390	16500	190	220	380698	278.00
500	720	400	400	5.0	5.0	7500	18600	160	200	3810/500X2	542.00
	720	420	420	6.0	5.0	7880	19400	160	200	3810/500	565.00
510	655	379	377	1.5	6.4	6180	18800	170	210	3806/510-1	332.00
	655	377	379	1.5	6.4	6180	18800	170	210	3806/510	316.00
530	780	450	450	6.0	5.0	7520	21500	140	180	3810/530	744.00
	870	590	590	7.5	6.0	9320	26100	120	160	3811/530	1422.00
540	690	400	400	2.0	5.0	5700	11400	140	180	3806/540	375.00
558.8	736	450	450	5.0	5.0	7250	23600	140	180	3806/558.8	534.00
560	750	368	368	5.0	4.0	4370	13300	140	180	3819/560	456.00
	920	620	620	7.5	6.0	11200	26100	100	140	3811/560	1635.00
600	800	365	365	5.0	5.0	4400	18100	120	160	3806/600	489.00
	800	380	380	5.0	4.0	5500	18900	120	160	3819/600	536.00
	870	480	480	6.0	5.0	8370	25400	100	140	3810/600	995.00
	980	650	650	7.5	6.0	12700	36700	90	120	3811/600	1970.00
620	800	363.5	363.5	3.0	6.0	7280	21000	120	160	3806/620	466.00
630	850	418	418	6.0	5.0	6440	19800	100	140	3819/630	720.00
	920	515	515	7.5	6.0	9170	26800	95	130	3810/630	1158.00
	1030	670	670	7.5	6.0	14400	39900	85	110	3811/630	2201.00
650	915	674	674	3.3	6.4	15700	39300	95	130	3806/650-1	1433.00
	1030	560	560	7.5	12.0	17600	44800	85	110	3806/650	1735.00

四列圆锥滚子轴承(英制) Four-row Tapered Roller Bearings(Imperial Size)

外形尺寸 Boundary dimensions							
d		D		B		T	
mm	in	mm	in	mm	in	mm	in
152.4	6.000	222.25	8.750	174.625	6.875	174.625	6.875
		244.475	9.625	192.088	7.563	187.325	7.375
152.781	6.015	244.475	9.625	192.088	7.563	187.325	7.375
165.1	6.500	225.425	8.875	165.1	6.500	168.275	6.625
168.275	6.625	247.65	9.750	192.088	7.563	192.088	7.563
177.8	7.000	247.65	9.750	192.088	7.563	192.088	7.563
		247.65	9.750	188.913	7.438	188.913	7.438
		247.65	9.750	192.088	7.563	192.088	7.563
		273.05	10.750	234.95	9.250	234.947	9.250
		279.4	11.000	234.95	9.250	234.947	9.250
		285.75	11.250	222.5	8.760	222.245	8.750
		288.925	11.375	263.525	10.375	263.525	10.375
		288.925	11.375	266.7	10.500	266.7	10.500
		298.45	11.750	263.525	10.375	263.525	10.375
		304.8	12.000	238.227	9.379	233.365	9.187
180.975	7.125	269.875	10.625	211.138	8.313	211.138	8.313
187.325	7.375	269.875	10.625	211.138	8.313	211.138	8.313
		282.575	11.125	190.05	7.482	190.05	7.482
190	7.480	292.1	11.500	225.425	8.875	225.425	8.875
190.5	7.500	266.7	10.500	187.325	7.375	188.912	7.437
		368.3	14.500	320.675	12.625	327.025	12.875
198.438	7.813	284.162	11.187	225.425	8.875	225.425	8.875
203.2	8.000	314.325	12.375	239.713	9.438	239.713	9.438
		317.5	12.500	209.55	8.250	209.55	8.250
		317.5	12.500	215.9	8.500	209.55	8.250
		317.5	12.500	266.7	10.500	266.7	10.500
		368.3	14.500	320.675	12.625	327.025	12.875
		368.3	14.500	327.025	12.875	327.025	12.875
206.375	8.125	282.575	11.125	190.5	7.500	190.5	7.500
		282.575	11.125	184.5	7.264	184.5	7.264
215.9	8.500	288.925	11.375	177.8	7.000	177.8	7.000
		355.6	14.000	254	10.000	254	10.000
		355.6	14.000	260.35	10.250	260.35	10.250

四列圆锥滚子轴承(英制) Four-row Tapered Roller Bearings(Imperial Size)

外形尺寸 Boundary dimensions		基本额定负荷 (千牛) Basic load ratings (kN)		型号 Designations	重量 (千克) Weight (kg)
r _{1smin}	r _{2smin}	Cr	Cor		
mm					
1.6	1.6	1080	2390	M231649D/M231610-M231610D	22.50
1.6	3.2	1100	1980	81601D/81962-81963D	31.90
1.6	3.2	1100	1980	81603D/81926-81963D	31.70
0.8	3.2	868	2140	46791D/46720-46720D	19.80
0.8	3.2	1190	2800	67782D/67720-67721D	31.70
1.5	3.3	1070	3000	67791DGW/67720-67721D	28.60
1.6	3.2	1190	2800	67790D/67720-67720D	27.50
1.5	3.2	1230	3000	67790DW/67720-67721D	29.00
1.6	3.2	1660	3290	82681D/82622-82622D	46.90
1.6	3.2	1660	3290	82681D/82620-82620D	51.90
1.6	3.2	1520	2860	EE91700D/91112-91113XD	53.70
1.6	3.2	1890	3840	94706D/94113-94114D	67.40
1.6	3.2	2150	3890	HM237545D/HM237510-HM237511XD	64.90
1.6	3.2	1890	3840	94706D/94118-94118D	76.40
3.3	3.3	1900	3250	EE280700D/281200-281201D	68.00
1.6	3.2	1410	3220	M238843D/M238810-M238810D	42.20
1.5	3.3	1530	3430	M238849D/M238810-M238810D	41.50
0.8	3.2	1200	2830	67975D/67920-67921XD	43.20
1.6	3.2	1870	4110	M241538D/M241510-M241510D	55.20
1.5	3.3	1280	3200	67885D/67820-67820D	32.90
3.2	3.2	3220	5840	EE420750D/421450-421451D	163.00
1.5	3.3	1280	3200	M240648D/M240611-M240611D	32.90
1.6	3.2	2100	4890	M244240DW/244210-M244210D	70.20
3.2	3.2	1510	2900	EE132081D/132125-132126D	60.20
3.2	3.2	1510	2900	EE132082D/132125-132126D	60.90
1.5	3.3	2400	4850	93800D/93125-93127D	76.30
3.2	3.2	2070	4540	EE420800D/421450-421451D	153.00
3.2	3.2	2070	4540	EE420801D/421450-421451D	154.00
0.8	3.3	1030	2830	67986D/67920-67921D	34.40
0.8	3.3	1200	3200	67985D/67920-67920D	33.90
0.8	3.2	1220	3120	LM742749D/LM742714-LM742414D	32.50
1.6	1.6	2490	5220	EE130850D/131400-131401D	104.00
1.6	1.6	2490	5220	EE130850D/131400-131402D	106.00

四列圆锥滚子轴承(英制) Four-row Tapered Roller Bearings(Imperial Size)

外形尺寸 Boundary dimensions							
d		D		B		T	
mm	in	mm	in	mm	in	mm	in
215.9	8.500	355.6	14.000	273.05	10.750	269.875	10.625
216.103	8.508	330.2	13.000	263.525	10.375	269.875	10.625
220.662	8.687	314.325	12.375	239.712	9.437	239.712	9.437
		314.325	12.375	239.712	9.437	239.712	9.437
		314.325	12.375	239.712	9.437	239.712	9.437
225.425	8.875	355.6	14.000	254	10.000	254	10.000
		355.6	14.000	260.35	10.250	260.35	10.250
228.6	9.000	311.15	12.250	200.025	7.875	200.025	7.875
		311.15	12.250	200.025	7.875	200.025	7.875
		355.6	14.000	254	10.000	254	10.000
		355.6	14.000	266.7	10.500	260.35	10.250
		355.6	14.000	260.35	10.250	260.35	10.250
		400.05	15.750	296.875	11.688	296.875	11.688
		400.05	15.750	330.2	13.000	327.025	12.875
		425.45	16.750	349.25	13.750	361.95	14.250
		425.45	16.750	355.6	14.000	361.95	14.250
234.95	9.250	327.025	12.875	196.85	7.750	196.85	7.750
241.224	9.497	349.148	13.746	228.6	9.000	228.6	9.000
		355.498	13.996	228.6	9.000	228.6	9.000
241.3	9.500	368.3	14.500	204.622	8.056	204.47	8.050
241.478	9.507	349.148	13.746	228.6	9.000	228.6	9.000
		350.838	13.813	228.6	9.000	228.6	9.000
		355.498	13.996	228.6	9.000	228.6	9.000
244.475	9.625	327.025	12.875	193.675	7.625	193.675	7.625
		381	15.000	304.8	12.000	304.8	12.000
247.65	9.750	400.05	15.750	249.235	9.812	253.995	10.000
254	10.000	358.775	14.125	269.875	10.625	269.875	10.625
		358.775	14.125	269.875	10.625	269.875	10.625
		368.3	14.500	204.622	8.056	204.47	8.050
		422.275	16.625	292.895	11.531	305.595	12.031
		422.275	16.625	298.45	11.750	311.15	12.250
		422.275	16.625	314.325	12.375	317.5	12.500
		431.724	16.997	292.895	11.531	298.453	11.750

四列圆锥滚子轴承(英制) Four-row Tapered Roller Bearings(Imperial Size)

外形尺寸 Boundary dimensions		基本额定负荷 (千牛) Basic load ratings (kN)		型号 Designations	重量 (千克) Weight (kg)
r _{1smin}	r _{2smin}	Cr	Cor		
mm					
6.4	3.2	2260	5260	96851D/96140-96140D	111.00
1.6	3.2	2270	4710	9974D/9920-9920D	79.70
1.5	3.3	2090	4900	M244249D/M244210-M244210D	60.20
1.5	3.3	2090	4900	M244249DW/M244210-M244210D	60.20
1.5	3.3	2090	4900	M244249DGW/M244210-M244210D	59.80
5.6	1.6	2490	5220	EE130887D/131400-131401D	97.20
5.6	1.6	2490	5220	EE130887D/131400-131402D	99.00
1.5	3.3	1560	3650	LM245149D/LM245110-LM245110D	43.90
1.5	3.3	1560	3650	LM245149DGW/LM245110-LM245110D	43.90
5.6	4.6	2490	5220	EE130901D/131400-131401D	95.00
1.6	1.6	2900	5000	EE130904DW/130400-130402D	101.00
1.6	1.6	2490	5220	EE130900D/131400-131402D	96.90
3.3	3.3	3300	5650	EE529091D/529157-529158XD	148.00
3.2	3.2	3390	6420	EE430901D/431575-431576D	173.00
3.6	6.4	4030	7900	EE700090D/700167-700168D	235.00
3.2	6.4	4030	7900	EE700092D/700167-700168D	237.00
1.6	3.2	1600	3720	8576D/8520-8520D	47.40
1.6	3.2	1900	4100	EE127094D/127135-127136D	70.90
1.6	3.2	1900	4100	EE127094D/127138-127139D	77.10
1.6	3.2	1740	3700	EE170951D/171450-171451D	81.40
1.5	3.3	2050	4350	EE127097D/127135-127136D	71.90
1.5	3.3	2050	4350	EE127097D/127137-127137D	71.90
1.5	3.3	2050	4350	EE127097D/127138-127139D	76.90
3.3	3.3	1740	4050	LM247748DW/LM247710-LM247710D	42.70
3.2	4.8	2700	5870	EE126096D/126150-126151D	125.00
1.6	6.4	2600	5140	EE220975D/221575-221576D	119.00
3.3	3.3	2720	6050	M249748D/M249710-M249710D	88.90
3.3	3.3	2720	6050	M249748DW/M249710-M249710D	88.90
1.6	3.2	1740	3700	EE171000D/171450-171451D	73.60
3.6	3.2	3470	6720	HM252343D/HM252310-HM252311D	165.00
3.6	3.2	3470	6720	HM252343D/HM252310-HM252310D	168.00
6.7	3.2	3470	6720	HM252342D/HM252310-HM252310D	171.00
3.6	3.6	3470	6720	HM252344D/HM252315-HM252315D	179.00

四列圆锥滚子轴承(英制) Four-row Tapered Roller Bearings(Imperial Size)

外形尺寸 Boundary dimensions									
d		D		B		T			
mm	in	mm	in	mm	in	mm	in		
254	10.000	444.5	17.500	279.4	11.000	279.4	11.000		
260.35	10.250	365.125	14.375	228.6	9.000	228.6	9.000		
		400.05	15.750	249.235	9.812	253.995	10.000		
		400.05	15.750	255.585	10.062	253.995	10.000		
		422.275	16.625	292.895	11.531	305.595	12.031		
		422.275	16.625	298.45	11.750	311.15	12.250		
		422.275	16.625	314.325	12.375	317.5	12.500		
266.7	10.500	422.275	16.625	314.325	12.375	317.5	12.500		
		431.724	16.997	292.895	11.531	298.453	11.750		
		355.6	14.000	230.188	9.063	228.6	9.000		
		393.7	15.500	269.878	10.625	269.878	10.625		
269.875	10.625	406.4	16.000	268.29	10.563	260.355	10.250		
		269.875	10.625	282.575	11.125	282.575	11.125		
		276.225	10.875	380.898	14.996	187.325	7.375	203.2	8.000
276.225	10.875	381	15.000	187.325	7.375	193.675	7.625		
		381	15.000	187.325	7.375	209.55	8.250		
		393.7	15.500	269.878	10.625	269.878	10.625		
		406.4	16.000	268.29	10.563	260.355	10.250		
		279.4	11.000	393.7	15.500	269.875	10.625	269.875	10.625
				393.7	15.500	269.875	10.625	269.875	10.625
469.9	18.500			346.075	13.625	349.25	13.750		
469.9	18.500			384.175	15.125	390.525	15.375		
285.75	11.250	495.3	19.500	282.735	11.131	285.75	11.250		
		495.3	19.500	289.085	11.381	292.1	11.500		
		380.898	14.996	244.475	9.625	244.475	9.625		
288.925	11.375	469.9	18.500	296.875	11.688	292.1	11.500		
		476.25	18.750	296.047	11.655	292.1	11.500		
		406.4	16.000	298.45	11.750	298.45	11.750		
292.1	11.500	406.4	16.000	298.45	11.750	298.45	11.750		
		422.275	16.625	269.875	10.625	269.875	10.625		
298.45	11.750	444.5	17.500	238.125	9.375	241.3	9.500		
299.974	11.810	439.949	17.321	280.988	11.063	279.4	11.000		
300	11.811	440	17.323	280.988	11.063	279.4	11.000		

四列圆锥滚子轴承(英制) Four-row Tapered Roller Bearings(Imperial Size)

外形尺寸 Boundary dimensions		基本额定负荷 (千牛) Basic load ratings (kN)		型号 Designations	重量 (千克) Weight (kg)
r _{1smin}	r _{2smin}	Cr	Cor		
mm					
3.2	6.4	2950	5540	EE822101D/822175-822176D	180.00
3.2	6.4	1940	4300	EE134103D/134143-134144D	72.00
		6.4	6.4	2600	5140
1.6	6.4	2600	5140	EE221027D/221575-221576D	110.00
3.6	3.2	3470	6720	HM252347D/HM252310-HM252311D	159.00
3.6	3.2	3470	6720	HM252347D/HM252310-HM252310D	162.00
6.4	3.2	3470	6720	HM252349D/HM252310-HM252310D	166.00
6.4	3.3	4100	7900	HM252348D/HM252310-HM252310D	182.00
3.6	3.6	3470	6720	HM252347D/HM252315-HM252315D	173.00
3.3	3.3	1950	5800	LM451349DW/LM451310-LM451310D	63.90
3.2	6.4	2530	6170	EE275106D/275155-275156D	108.00
3.2	6.4	2530	6170	EE275106D/275160-275161D	128.00
3.3	3.3	2930	7550	M252349DW/M252310-M252310D	105.00
3.3	6.4	1650	3600	89108D/89149-89149XD	64.40
3.2	3.2	1610	3900	89108D/89148-89151XD	64.20
3.2	6.4	1610	3900	89108D/89150-89151XD	67.20
1.0	6.4	2880	6200	EE275109D/275155-275156D	105.00
1.6	6.4	2530	6170	EE275109D/275160-275161D	105.00
1.5	6.4	2880	6200	EE135111D/135155-135156D	103.00
1.5	6.4	2880	6200	EE135111DW/135155-135156D	103.00
6.4	3.2	4210	8740	EE722111D/722185-722186D	247.00
9.5	3.2	4210	8740	EE722112D/722185-722186D	247.00
1.6	3.2	3500	6440	EE941106D/941950-941951XD	236.00
1.6	3.2	3500	6440	EE941106D/941950-941952XD	240.00
1.6	3.2	2280	5650	LM654648D/LM654610-LM654610D	75.80
6.4	3.2	3910	6920	EE921151D/921850-921851D	201.00
1.6	3.2	3910	6920	EE921150D/921875-921876D	211.00
3.3	3.3	3400	8150	M255449DW/M255410-M255410D	125.00
3.3	3.3	3400	8150	M255449D/M255410-M255410D	125.00
SP	3.3	3450	7950	EE330116D/330116-330167D	126.00
7.9	1.6	2470	5520	EE291176D/291750-291751D	145.00
3.2	4.8	2700	6450	EE129119D/129174-129175XD	145.00
3.3	4.8	3150	6400	EE129119D/129174-129175D	145.00

四列圆锥滚子轴承(英制) Four-row Tapered Roller Bearings(Imperial Size)

外形尺寸 Boundary dimensions							
d		D		B		T	
mm	in	mm	in	mm	in	mm	in
300.038	11.813	422.275	16.625	311.15	12.250	311.15	12.250
304.648	11.994	438.048	17.246	280.99	11.063	279.4	11.000
		438.048	17.246	280.99	11.063	279.4	11.000
304.8	12.000	419.1	16.500	269.875	10.625	269.875	10.625
		444.5	17.500	238.125	9.375	241.3	9.500
		444.5	17.500	247.65	9.750	241.3	9.500
		495.3	19.500	282.735	11.131	285.75	11.250
		495.3	19.500	289.085	11.381	292.1	11.500
		495.3	19.500	295.435	11.631	292.1	11.500
		495.3	19.500	342.9	13.500	349.25	13.750
304.902	12.004	501.65	19.750	336.55	13.250	336.55	13.250
		412.648	16.246	266.7	10.500	266.7	10.500
305.003	12.008	438.048	17.246	280.99	11.063	279.4	11.000
317.5	12.500	422.275	16.625	269.875	10.625	269.875	10.625
		447.675	17.625	327.025	12.875	327.025	12.875
327.025	12.875	482.6	19.000	306.388	12.063	311.15	12.250
330.2	13.000	444.5	17.500	301.625	11.875	301.625	11.875
		482.6	19.000	306.388	12.063	311.15	12.250
330.302	13.004	438.023	17.245	247.65	9.750	254	10.000
333.375	13.125	469.9	18.500	342.9	13.500	342.9	13.500
341.312	13.437	457.098	17.996	254	10.000	254	10.000
		457.098	17.996	254	10.000	254	10.000
342.9	13.500	533.4	21.000	307.985	12.125	301.625	11.875
		571.5	22.500	342.9	13.500	342.9	13.500
343.052	13.506	457.098	17.996	254	10.000	254	10.000
		457.098	17.996	254	10.000	254	10.000
346.075	13.625	488.95	19.250	358.775	14.125	358.775	14.125
347.662	13.687	469.9	18.500	292.1	11.500	292.1	11.500
		469.9	18.500	260.35	10.250	260.35	10.250
355.6	14.000	444.5	17.500	241.3	9.500	241.3	9.500
		457.2	18.000	252.412	9.937	252.412	9.937
		482.6	19.000	265.112	10.437	269.875	10.625
		488.95	19.250	317.5	12.500	317.5	12.500

四列圆锥滚子轴承(英制) Four-row Tapered Roller Bearings(Imperial Size)

外形尺寸 Boundary dimensions		基本额定负荷 (千牛) Basic load ratings (kN)		型号 Designations	重量 (千克) Weight (kg)
r _{1smin}	r _{smin}	Cr	Cor		
mm					
3.3	3.3	3700	9400	HM256849D/HM256810-HM256810D	126.00
3.3	4.8	3000	6650	M757448D/M757410-M757410D	130.00
		3000	6650	M757448DW/M757410-M757410D	130.00
1.5	6.4	2850	6800	M257149D/M257110-M257110D	112.00
7.9	1.6	2470	5520	EE291200D/291750-291751D	125.00
7.9	1.6	2470	5520	EE291202D/291750-291751D	127.00
1.6	3.2	3760	7690	EE941206D/941950-941951XD	217.00
1.6	3.2	3760	7690	EE941206D/941950-941952XD	221.00
1.6	3.2	3500	6440	EE941207D/941950-94196D	215.00
2.0	6.4	5000	9200	EE724121D/724195-724196D	243.00
2.0	6.4	4650	9200	HM258949D/HM258910-HM258910D	255.00
3.3	3.3	2930	7000	M257248DW/M257210-M257210D	102.00
3.3	4.8	2980	6600	M757449DW/M757410-M747510D	129.00
1.5	3.3	2980	8100	LM258648DW/LM259610-LM258610D	104.00
3.3	3.3	4650	10700	HM259049D/HM259010-HM259010D	163.00
1.5	3.3	3400	7530	EE526129D/526190-526191D	185.00
3.3	3.3	3550	9600	M260149DW/M260110-M260110D	134.00
1.6	3.2	3700	7190	EE526131D/526190-526191D	188.00
1.5	3.3	2500	7300	EE138131D/138172-138173D	109.00
3.3	3.3	4100	10100	HM261049DW/HM261010-HM261010D	186.00
2.0	3.3	2350	7400	LM761648DW/LM761610-LM761610D	112.00
2.0	3.3	2740	7050	LM761648D/LM761610-LM761610D	112.00
3.3	3.3	4650	8750	EE971355D/972100-972103D	239.00
3.3	6.4	6200	11500	EE536136D/536225-536226D	366.00
2.0	3.3	2670	7400	LM761649DW/LM761610-LM761610D	110.00
1.5	3.3	2800	6900	LM761649DSH/LM761610SH-LM761610DSH	110.00
3.3	3.3	4800	12400	HM262749D/HM262710-HM262710D	210.00
3.3	3.3	2600	7950	M262449D/M262410-M262410D	142.00
1.5	3.3	3750	10100	LM262449DW/LM262410-LM262410D	129.00
1.6	3.2	2220	5890	L163149D/L163110-L163110D	85.50
1.5	3.3	2080	6850	LM263149DW/LM263110-LM263110D	104.00
1.5	3.3	2570	7440	LM763449D/LM763410-LM763410D	139.00
1.5	3.3	3150	10000	M263349D/M263310-M263310D	177.00

四列圆锥滚子轴承(英制) Four-row Tapered Roller Bearings(Imperial Size)

外形尺寸 Boundary dimensions							
d		D		B		T	
mm	in	mm	in	mm	in	mm	in
355.6	14.000	514.35	20.250	244.475	9.625	260.35	10.250
356.387	14.031	482.6	19.000	219.075	8.625	222.25	8.750
368.3	14.500	523.875	20.625	382.588	15.063	382.588	15.063
		596.9	23.500	342.9	13.500	342.9	13.500
		596.9	23.500	336.55	13.250	342.9	13.500
374.65	14.750	501.65	19.750	250.825	9.875	260.35	10.250
		514.35	20.250	260.35	10.250	260.35	10.250
384.175	15.125	546.1	21.500	400.05	15.750	400.05	15.750
358.762	15.187	514.35	20.250	317.5	12.500	317.5	12.500
393.7	15.500	546.1	21.500	288.925	11.375	288.925	11.375
		558.8	22.000	254	10.000	255.588	10.063
406.4	16.000	546.1	21.500	268.288	10.563	288.925	11.375
		546.1	21.500	288.925	11.375	288.925	11.375
		546.1	21.500	330	12.992	330	12.992
		558.8	22.000	255.588	10.063	254	10.000
		565.15	22.250	381	15.000	381	15.000
		590.55	23.250	400.05	15.750	400.05	15.750
409.575	16.125	609.6	24.000	309.562	12.187	317.5	12.500
		546.1	21.500	334.962	13.187	334.962	13.187
415.925	16.375	546.1	21.500	334.962	13.187	334.962	13.187
		590.55	23.250	434.975	17.125	434.975	17.125
431.8	17.000	571.5	22.500	276.225	10.875	279.4	11.000
		571.5	22.500	279.4	11.000	279.4	11.000
		571.5	22.500	336.55	13.250	336.55	13.250
		635	25.000	355.6	14.000	355.6	14.000
431.902	17.004	685.698	26.996	533.273	20.995	533.273	20.995
432.003	17.008	609.524	23.997	317.5	12.500	317.5	12.500
444.5	17.500	571.5	22.500	336.55	13.250	336.5	13.250
447.6	17.622	635	25.000	463.5	18.248	463.5	18.248
447.675	17.625	636	25.039	463.55	18.250	463.55	18.250
449.949	17.715	594.949	23.423	368	14.488	368	14.488
450	17.717	595	23.425	368	14.488	368	14.488
		595	23.425	404	15.906	404	15.906

四列圆锥滚子轴承(英制) Four-row Tapered Roller Bearings(Imperial Size)

外形尺寸 Boundary dimensions		基本额定负荷 (千牛) Basic load ratings (kN)		型号 Designations	重量 (千克) Weight (kg)
r _{1smin}	r _{smin}	Cr	Cor		
mm					
3.2	3.2	2710	6560	EE231401D/232025-232026D	177.00
1.6	6.4	2100	4990	EE161403D/161900-191901D	116.00
3.3	6.4	6200	14800	HM265049DW/HM265010-HM265010D	274.00
6.4	6.4	5700	11500	EE181455D/182350-182351D	385.00
6.4	6.4	4830	9310	EE181454D/182350-182351D	347.00
1.5	3.3	3120	7550	EE231475D/231975-231976D	141.00
1.6	3.2	2710	6560	EE231475D/232025-232026D	158.00
3.3	6.4	6120	16400	HM266449DW/HM266410-HM266410CD	310.00
3.3	3.3	4150	11000	LM665949DW/LM665910-LM665910D	189.00
1.6	6.4	3680	9390	LM767745D/LM767710-LM767710D	205.00
3.2	6.4	2970	7620	EE234157D/234220-234221D	205.00
1.5	6.4	4150	9450	EE234161D/234215-234216D	182.00
1.5	6.4	4200	10000	LM767749DW/LM767710-LM767710D	186.00
1.5	6.4	4900	12500	3806/406.4	223.00
1.6	6.4	2970	7620	EE234161D/234220-234221D	189.00
3.3	6.4	5900	15200	M26749D/M267910-M267910XD	298.00
3.3	6.4	6850	16300	EE833161D/833232-833233D	371.00
3.6	6.4	4890	10600	EE911603D/912400-912401D	320.00
1.5	6.4	4700	11600	M667947DW/M667910-M667910D	206.00
1.5	6.4	3470	11500	M667947D/M667910-M667910D	213.00
3.3	6.4	5400	16500	M268749D/M268710-M268710D	369.00
1.6	3.2	3360	8600	EE239171D/239225-239226XD	187.00
1.5	3.3	3550	9500	LM869449DW/LM869410-LM869410D	199.00
1.5	6.4	4700	11500	LM769349D/LM769310-LM769310D	233.00
6.4	6.4	6500	14500	EE931070D/931250-931251XD	386.00
6.4	6.4	10400	22800	EE328172D/328629-328628D	761.00
3.6	6.4	5210	12100	EE736173D/736238-736239D	293.00
1.5	3.3	4800	14200	3806/444.5	216.00
3.3	6.4	7500	19800	3806/447.6	472.00
3.3	6.4	8100	21800	M270749DW/M270710-M270710D	486.00
4.0	8.0	4900	15700	M270448DGW/M270410/DB	300.00
3.0	6.0	5500	16300	M270749DA/M270410-M270410D	285.00
3.0	6.0	5500	16300	M270449DA/M270410-M270410D	285.00

四列圆锥滚子轴承(英制) Four-row Tapered Roller Bearings(Imperial Size)

外形尺寸 Boundary dimensions							
d		D		B		T	
mm	in	mm	in	mm	in	mm	in
456.794	17.984	761.873	29.995	527.05	20.750	527.05	20.750
457.073	17.995	730.148	28.746	412.75	16.250	419.1	16.500
		730.148	28.746	412.75	16.250	419.1	16.500
457.2	18.000	596.9	23.500	276.225	10.875	279.4	11.000
		596.9	23.500	320	12.598	320	12.598
457.403	18.008	730.148	28.746	412.75	16.250	419.1	16.500
462	18.189	596.9	23.500	330.2	13.000	330.2	13.000
479.425	18.875	679.45	26.750	495.3	19.500	495.3	19.500
482.6	19.000	615.95	24.250	330.2	13.000	330.2	13.000
		615.95	24.250	330.2	13.000	406.4	16.000
		615.95	24.250	330.2	13.000	419.1	16.500
		615.95	24.250	402.05	15.829	402.05	15.829
		635	25.000	421	16.575	421	16.575
488.95	19.250	622.3	24.500	365.125	14.375	365.125	14.375
		660.4	26.000	365.125	14.375	361.95	14.250
489.026	19.253	634.873	24.995	320.675	12.625	320.675	12.625
501.65	19.750	673.1	26.500	400.05	15.750	387.35	15.250
		711.2	28.000	520.7	20.500	520.7	20.500

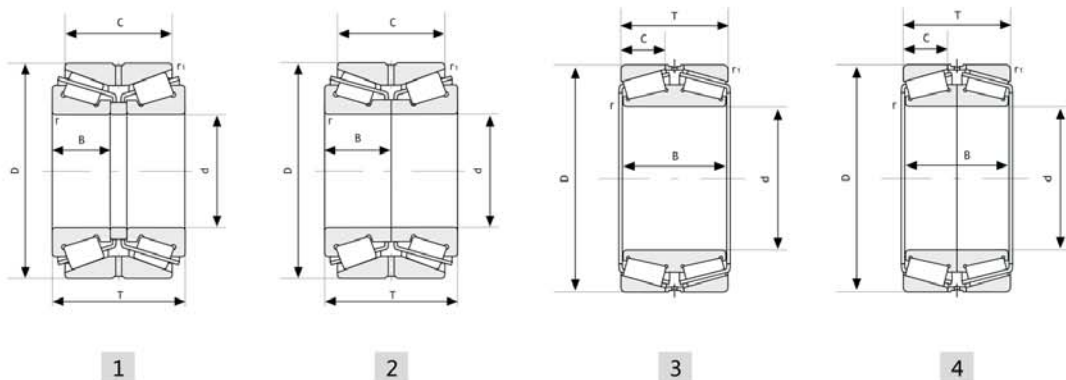
四列圆锥滚子轴承(英制) Four-row Tapered Roller Bearings(Imperial Size)

外形尺寸 Boundary dimensions		基本额定负荷 (千牛) Basic load ratings(kN)		型号 Designations	重量 (千克) Weight(kg)
r _{1smin}	r _{smin}	Cr	Cor		
mm					
3.2	6.4	11100	22500	EE425176D/425299-425299D	980.00
1.5	6.4	8800	19000	3806/457X4	628.00
1.5	6.4	8970	19600	EE671798DGW/672873-672875D	630.00
1.5	3.3	4400	10500	L770847DW/L770810-L770810D	202.00
3.3	3.3	4700	13500	3806/457.2	202.00
1.6	6.4	8290	16500	EE671802D/672873-672875D	646.00
3.3	6.4	5400	14500	3806/462	276.00
3.3	6.4	9850	25000	M272749D/M272710-M272710D	586.00
6.4	6.4	4860	15200	LM272249DW/LM272210-LM272210D	252.00
1.0	6.4	4860	15200	3806/482.6-1	251.00
3.5	6.4	5000	15200	3806/482.6-2	263.00
1.0	6.4	4800	13600	3806/482.6-3	246.00
3.0	6.4	7090	20300	M272449D/M272410-M272410D	366.00
3.2	6.4	7390	20300	M272647D/M272610-M272610D	396.00
3.0	3.0	5500	17000	3806/488X4	266.00
7.9	6.4	4930	13700	EE640193D/640260-640261D	258.00
3.2	3.2	4930	13700	LM772749D/LM772710-LM772710D	258.00
3.3	6.4	7000	19000	EE641198D/641265-641266D	687.00
3.3	6.4	9690	26900	M274149DW/M274110-M274110D	687.00

双列圆锥滚子轴承(公制) Double-row Tapered Roller Bearings(Metric Size)



双列圆锥滚子轴承(公制)
Double-row Tapered Roller Bearings (Metric Size)



外形尺寸(毫米) Boundary dimensions(mm)							基本额定负荷 (千牛) Basic load ratings(kN)		极限转速(转/分) Speed rating (rpm)		型号 Designations	重量(千克) Weight (kg)
d	D	T	B	C	r _{min}	r _{1min}	Cr	Cor	Grease	Oil		
150	210	76	38	30	0.5	2.0	455	920	1200	1500	32930/DF	7.99
	210	80	36	62	2.5	0.7	385	795	1200	1500	352930X2	9.32
	225	112	45	88	3.0	1.0	1100	1690	1200	1500	350630	14.10
	225	79	36	62	2.5	0.7	385	795	1200	1500	352930X3	11.80
	250	138	60	112	2.5	1.0	870	1660	1100	1500	352130	25.80
	270	109	45	87	4.0	1.0	710	678	1100	1500	350630-1	24.50
270	169	73	138	4.0	1.0	1270	2330	1100	1500	352230X2	39.40	
160	220	82	36	65	2.5	0.7	415	860	1100	1500	352932X2	8.15
	240	115	48	90	3.0	1.2	680	1330	1100	1500	352032X2	16.50
	240	114	51	84	3.0	0.6	715	1450	1100	1500	352032X2-1	16.70
	270	150	66	120	2.5	1.0	995	1880	1000	1400	352132	28.30
	270	150	70	120	2.5	1.0	965	1720	1000	1400	352132X2	28.30
170	230	82	36	65	2.5	0.7	420	890	1000	1400	352934X2	8.11
	230	65	65	27	0.7	2.0	450	945	1000	1400	370634	6.79
	260	120	54	95	3.0	1.2	745	1540	1000	1300	352034X2	20.40
	280	150	66	120	2.5	1.0	1100	2170	950	1300	352134	35.60
180	250	95	42	74	2.5	0.6	490	1000	1000	1300	352936X2	13.00
	280	134	60	108	3.0	1.0	920	1840	940	1300	352036X2	28.50
	300	164	72	134	3.0	1.0	1230	2480	890	1200	352136	39.90
	320	192	86	145	3.5	2.0	1530	2900	890	1200	352236X2	63.00
	320	192	86	152	3.5	2.0	1620	3010	850	1100	352236	63.80
	340	180	83	140	5.0	1.1	1700	2860	840	1100	350636	71.90
	340	180	83	140	5.0	1.1	1700	2860	840	1100	350636	71.90
190	260	95	42	75	2.5	0.6	565	1220	940	1400	352938X2	13.30
	290	100	100	37	3.5	3.5	745	1430	900	1300	372038X2	22.90
	290	134	60	104	3.0	1.0	930	1890	890	1200	352038X2	28.80
	320	170	78	130	3.0	1.0	1340	2680	840	1100	352138	52.00
200	280	110	48	85	3.0	0.9	670	1530	900	1200	352940X2	18.10
	280	116	51.5	85	3.0	1.0	670	1530	900	1200	352940X2-1	18.90
	280	117	55	97	3.0	0.6	670	1530	900	1200	352940X2-2	20.70
	280	110	48.5	85	3.0	1.0	670	1530	900	1200	352940X2-3	18.20
	309.5	109	109	36.5	3.0	3.0	770	1450	900	1100	370640	29.50
	310	140	70	53	0.8	2.5	1270	2620	840	1100	32040/DF	40.20
	310	151	66	118	3.0	1.0	995	2080	840	1100	352040X2-1	38.90
	310	151	66	118	3.0	1.0	995	2080	840	1100	352040X2-1	38.90

双列圆锥滚子轴承(公制) Double-row Tapered Roller Bearings(Metric Size)

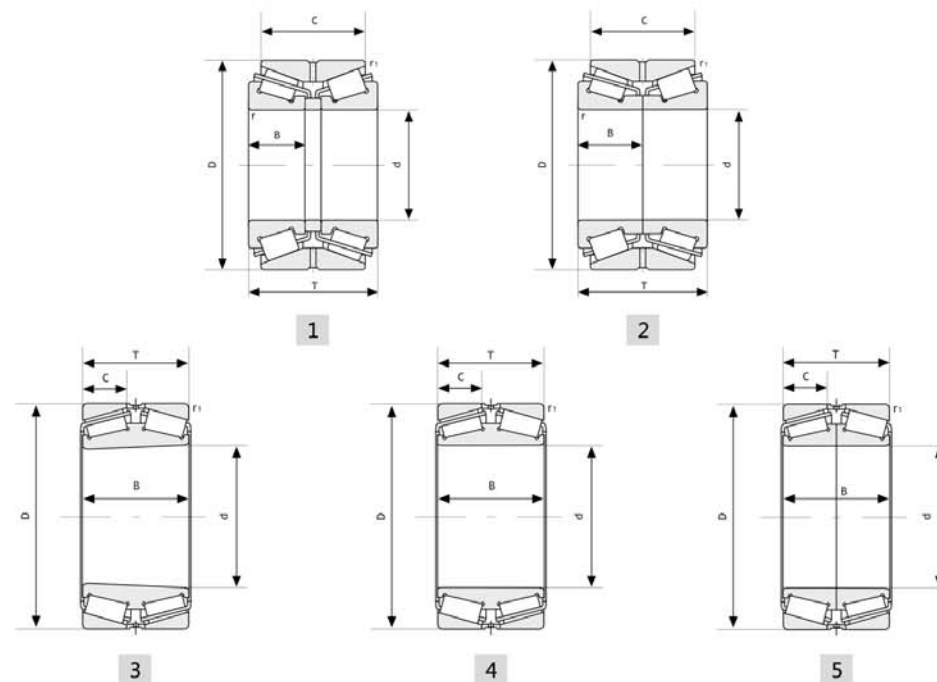
外形尺寸(毫米) Boundary dimensions(mm)							基本额定负荷 (千牛) Basic load ratings(kN)		极限转速(转/分) Speed rating (rpm)		型号 Designations	重量(千克) Weight (kg)
d	D	T	B	C	r _{smin}	r _{1smin}	Cr	Cor	Grease	Oil		
200	310	151	66	120	3.0	1.0	995	2080	840	1100	352040X2	38.30
	310	151	66	123	3.0	1.0	995	2080	840	1100	352040X2-2	38.30
	310	155	66	56	3.0	0.8	995	2080	840	1100	32040X2/DB	38.90
	310	140	53	140	4.0	4.0	1280	2750	800	1100	32040X/DF	39.00
	310	152	65	120	3.0	1.0	1010	2130	840	1100	352040X2	39.20
	320	110	48.5	85	3.0	1.0	890	1560	820	1100	352940X3	30.30
	340	184	82	150	3.0	1.0	1650	3400	800	1100	352140	63.80
	360	218	98	174	5.0	1.1	2350	4350	800	1100	352240	93.30
220	300	110	48	88	3.0	1.2	390	745	810	1100	352944X2	21.20
	340	164	72	130	4.0	1.1	1360	2790	760	1100	352044X2	47.70
	340	165	72	130	4.0	1.0	1360	2790	760	1100	352044X2-1	47.90
	370	195	88	150	4.0	1.1	1740	3450	760	1100	352144	76.30
	370	120	50	107	5.0	1.5	1130	1910	760	1000	350644	46.90
240	320	105	48	82	3.0	0.9	665	1590	760	1000	352948X2	22.30
	320	109	48	90	3.0	1.0	675	1550	760	1000	352948X2-2	22.50
	320	110	48	87	3.0	1.0	665	1590	760	1000	352948X2-1	23.20
	320	116	51	92	3.0	1.0	655	1480	760	1000	352948	22.20
	360	166	76	128	4.0	1.0	1330	2890	690	920	352048	52.80
	360	152	76	57	1.0	3.0	1820	3300	690	920	32048/DF	54.00
	360	165	72	130	4.0	1.0	1330	2890	690	920	352048X2	52.80
	400	210	95	163	4.0	1.1	2050	4200	630	840	352148	98.10
260	360	65	65	25	4.0	2.0	360	800	700	900	372952X2	21.10
	360	92	92	30	4.0	1.5	450	960	700	900	372952X2-1	29.80
	360	134	60	108	3.0	0.9	1010	2500	700	900	352952X2	39.70
	360	133	60	109	3.0	1.1	1010	2500	700	900	352952X2-1	39.80
	360	92	40	62	3.0	1.0	630	1370	700	900	352952X2-3	25.50
	360	141	63.5	110	3.0	1.0	1120	2550	670	900	352952	39.00
	379.5	118	118	39	4.0	4.0	1020	2160	500	700	370652X1	42.20
	400	150	75	110	4.7	1.1	1410	2630	630	840	352052X2-1	60.30
	400	155	72	108	9.5	1.6	1400	2630	630	840	352052X2-3	60.30
	400	174	87	65	1.3	4.0	1900	4100	630	840	32052DF	82.60
400	186	82	146	5.0	1.3	1750	3750	630	840	352052X2	79.30	
440	225	100	180	4.0	2.3	2410	4750	580	770	352152X2	124.00	

双列圆锥滚子轴承(公制) Double-row Tapered Roller Bearings(Metric Size)

外形尺寸(毫米) Boundary dimensions(mm)							基本额定负荷 (千牛) Basic load ratings(kN)		极限转速(转/分) Speed rating (rpm)		型号 Designations	重量(千克) Weight (kg)
d	D	T	B	C	r _{smin}	r _{1smin}	Cr	Cor	Grease	Oil		
265	389.5	100	100	31	5.5	2.5	490	620	540	690	3706/265	42.70
280	380	134	60	108	3.0	0.9	1030	2650	620	820	352956X2	44.00
	380	141	63.5	110	3.0	1.0	1070	2450	600	780	352956	48.00
	389.5	92	92	30	4.0	4.0	870	1880	600	800	370656	33.30
	420	186	82	146	5.0	1.3	1890	4000	580	770	352056X2	81.50
420	188	83	154	5.0	1.3	1890	4000	580	770	352056X2-1	82.70	
420	190	87	146	5.0	1.1	1860	4000	580	770	352056	83.50	
460	185	82	140	5.0	1.5	2100	4200	580	770	351156	109.00	
300	420	160	72	128	4.0	1.1	1670	3614	580	770	352960X2	60.80
	420	166	76	128	4.0	1.0	1460	3450	580	770	352960	68.00
	460	210	95	165	5.0	1.3	2000	4000	580	770	352060X2	118.00
	460	220	100	168	5.0	1.1	2000	4000	580	770	352060	140.00
	500	205	90	152	5.0	1.5	2260	4450	530	710	351160	144.00
	500	200	90	160	6.0	3.0	2300	4450	530	710	351160X2	142.00
	500	203	91	152	5.0	1.5	3000	4950	530	710	351160X2-1	148.00
305.1	500	200	76	200	6.0	5.0	2680	5520	350	450	3506/305.07	163.00
	500	200	200	70	6.4	4.8	1870	3550	530	710	3706/305.07	122.00
	560	200	76	200	6.0	5.0	2980	5400	330	400	3506/305.07-1	228.00
320	440	160	72	128	4.0	1.0	1650	3900	530	710	352964X2	67.40
	440	166	76	128	4.0	1.0	1071	2040	530	710	352964	70.00
	480	151	66.5	121	5.0	1.5	1870	3550	530	710	350664	88.90
	480	210	95	160	6.0	2.5	1830	4390	530	710	352064X2	122.00
	480	220	100	168	5.0	1.1	2540	5750	530	710	352064	134.00
	540	225	100	160	5.0	1.5	3100	5700	430	570	351164	181.00
340	460	160	72	128	4.0	1.1	1540	4050	500	600	352968X2	71.00
	460	166	76	128	4.0	1.0	1450	4050	400	500	352968	74.00
	520	180	82	135	5.0	1.5	1870	4070	380	480	351068	128.00
	580	242	106	170	5.0	1.5	3200	6300	460	620	351168	235.00
	580	238	107	190	6.0	2.0	3350	6600	370	500	351168X2	237.00
350	590	192	192	70	4.0	4.0	3050	6400	350	450	370670	207.00
360	480	160	72	128	4.0	1.0	1490	4270	380	480	352972X2	74.30
	480	166	70	128	4.0	1.0	1490	4270	380	480	352072	76.10
	540	169	70	134	6.0	2.0	2180	4400	460	620	351072X2	122.00

双列圆锥滚子轴承(公制) Double-row Tapered Roller Bearings(Metric Size)

外形尺寸(毫米) Boundary dimensions(mm)							基本额定负荷 (千牛) Basic load ratings(kN)		极限转速(转/分) Speed rating (rpm)		型号 Designations	重量(千克) Weight (kg)
d	D	T	B	C	r _{min}	r _{1min}	Cr	Cor	Grease	Oil		
360	540	185	82	140	5.0	1.5	2060	4150	460	620	351072	128.00
	600	242	106	170	5.0	1.5	2950	6270	320	400	351172	235.00
379	681.5	307	307	115	5.0	6.0	5700	11500	530	710	306/380/DF	493.00
380	520	145	65	105	4.0	1.1	1210	3250	360	450	351946	80.30
	520	149	65	112	4.0	1.1	1660	3800	530	710	351976X2	82.40
	560	190	54	190	5.0	5.0	2150	4700	350	450	371076K	157.00
	560	190	82	140	5.0	1.5	2040	4150	410	540	351076	137.00
380	620	242	106	170	5.0	1.5	3450	7150	410	540	351176	250.00
	390	570	200	200	69	5.0	5.0	2800	7000	380	500	370678
400	540	150	65	105	4.0	1.1	992	1640	360	480	351980	86.90
	600	189	190	63	5.0	4.0	2680	5500	360	480	371080X2	174.00
	600	206	90	150	5.0	1.5	2620	6380	300	380	351080	180.00
	650	240	240	90	5.0	5.0	3540	7700	300	410	370680	293.00
	650	255	112	180	6.0	2.5	3900	8100	300	380	351180	330.00
420	560	145	65	105	4.0	1.1	1450	3740	360	480	351984	89.00
	620	206	90	150	5.0	1.5	2560	5550	360	480	351084	191.00
	700	275	122	200	6.0	2.5	4400	9250	360	480	351184	376.00
440	600	170	74	125	4.0	1.1	1890	4860	280	360	351988	114.00
	650	212	94	152	6.0	2.5	2750	7020	260	340	351088	213.00
	720	275	125	190	6.0	2.5	5100	11000	260	340	351188	428.00
460	620	174	74	130	5.0	1.1	1910	4990	260	340	351992	128.00
	680	230	100	175	6.0	2.5	3410	7450	360	480	351092	253.00
	680	230	230	85	6.0	6.0	3760	8760	300	410	371092	274.00
	760	300	132	210	7.5	3.0	5500	12100	220	300	351192	510.00
480	650	180	78	130	5.0	1.5	1970	4550	330	450	351996	159.00
	700	240	100	180	6.0	2.5	3330	8190	200	280	351096	281.00
	790	310	136	224	7.5	3.0	5000	11990	180	240	351196	651.00
500	670	180	78	130	5.0	1.5	2150	6120	220	300	3519/500	129.00
	720	236	100	180	6.0	2.5	3390	8450	190	260	3510/500	289.00
	830	325	145	230	7.5	3.0	6900	15800	150	190	3511/500	677.00
	830	325	150	230	7.5	3.0	6900	15800	150	190	3511/500X2	677.00



双列圆锥滚子轴承(英制) Double-row Tapered Roller Bearings(Imperial Size)

外形尺寸 Boundary dimensions							
d		D		B		T	
mm	in	mm	in	mm	in	mm	in
149.225	5.875	236.538	9.313	105.347	4.148	106.363	4.188
		236.538	9.313	105.347	4.148	106.363	4.188
		241.3	9.500	105.347	4.148	106.363	4.188
		241.3	9.500	105.347	4.148	106.363	4.188
		254	10.000	120.65	4.750	120.65	4.750
152.4	6.000	222.25	8.750	84.138	3.313	84.138	3.313
		222.25	8.750	84.138	3.313	84.138	3.313
		244.475	9.625	92.075	3.625	87.312	3.437
		244.475	9.625	119.063	4.688	120.651	4.750
		254	10.000	120.65	4.750	120.65	4.750
		254	10.000	133.35	5.250	133.35	5.250
		254	10.000	158.75	6.250	158.75	6.250
		298.45	11.750	111.125	4.375	107.95	4.250
		307.975	12.125	171.45	6.750	161.925	6.375
		317.5	12.500	171.45	6.750	161.925	6.375
152.781	6.015	244.475	9.625	92.075	3.625	87.313	3.438
155.575	6.125	247.65	9.750	122.238	4.813	122.238	4.813
158.75	6.250	225.425	8.875	76.2	3.000	79.375	3.125
		285.75	11.250	125.413	4.938	128.588	5.063
		290.513	11.438	125.413	4.938	125.413	4.938
		304.8	12.000	114.3	4.500	109.438	4.309
165.1	6.500	269.875	10.625	146.05	5.750	146.05	5.750
174.625	6.875	288.925	11.375	123.825	4.875	123.825	4.875
		288.925	11.375	158.75	6.250	158.75	6.250
		298.45	11.750	158.75	6.250	158.75	6.250
		342.9	13.500	190.5	7.500	187.325	7.375
177.8	7.000	247.65	9.750	90.488	3.563	90.488	3.563
		273.05	10.750	112.712	4.437	112.712	4.437
		279.4	11.000	112.712	4.437	112.712	4.437
		285.75	11.250	106.363	4.188	106.363	4.188
		288.925	11.375	123.825	4.875	123.825	4.875
		288.925	11.375	123.825	4.875	123.825	4.875
		288.925	11.375	158.75	6.250	158.75	6.250

双列圆锥滚子轴承(英制) Double-row Tapered Roller Bearings(Imperial Size)

外形尺寸 Boundary dimensions		极限转速(转/分) Basic load ratings(kN)		型号 Designations	重量(千克) Weight (kg)
r _{smin}	r _{ismin}	Cr	Cor		
mm					
3.2	1.5	685	1360	82587D/82931	17.50
1.6	3.2	719	1460	82587TD/82931	17.90
1.6	3.2	719	1460	82587D/82950	19.40
1.6	3.2	719	1460	82587TD/82950	19.40
1.6	3.2	941	1830	99587D/99100	26.00
1.6	1.6	490	1060	M231649D/M231610	11.10
1.6	1.6	541	1190	M231649TD/M231610	11.00
3.2	1.6	570	1020	81601D/81962	15.30
1.6	3.2	552	989	81604TD/81962	19.50
1.6	3.2	941	1830	99600TD/99100	25.30
1.6	3.2	941	1830	99600D/99100	27.20
3.2	1.6	885	1660	99603D/99100	29.60
3.2	3.2	960	1450	EE517060D/517117	34.20
9.5	6.7	1360	2300	HH234049D/HH234010	58.20
6.8	9.5	1510	2380	HH234049D/HH234018	60.70
1.6	3.2	552	989	81603D/81962	15.10
3.2	1.6	910	1790	H432549D/H432510	22.40
3.0	0.8	442	1140	46780DR/46720	10.30
6.4	3.2	1010	1760	EE217063D/217112	35.30
6.4	3.2	1010	1760	EE217063D/217114	36.80
6.4	3.2	939	1600	EE280625D/281200	37.50
3.2	1.6	1140	2220	H234649TD/H234610	32.20
3.2	1.6	1050	1870	HM237542D/HM237510	31.30
3.2	1.6	943	1920	94688TD/94113	40.20
3.2	1.6	943	1920	94688TD/94118	45.60
6.4	3.2	1300	2190	EE590689TD/591350	77.60
3.2	1.6	555	1290	67790D/67720	13.30
3.2	1.6	828	1640	82680D/82622	24.90
3.2	1.6	785	1540	82680D/82620	24.90
3.2	1.6	760	1430	EE91700/91112	26.00
3.2	1.6	1050	1870	HM237546D/HM237510	30.50
3.2	1.6	930	1880	94706D/94113	32.10
3.2	1.6	1050	1870	HM237546DD/HM237510	36.70

双列圆锥滚子轴承(英制) Double-row Tapered Roller Bearings(Imperial Size)

外形尺寸 Boundary dimensions							
d		D		B		T	
mm	in	mm	in	mm	in	mm	in
177.8	7.000	288.925	11.375	158.75	6.250	158.75	6.250
		298.45	11.750	123.825	4.875	123.825	4.875
		298.45	11.750	158.75	6.250	158.75	6.250
		304.8	12.000	114.3	4.500	109.438	4.309
180.975	7.125	288.925	11.375	158.75	6.250	158.75	6.250
		288.925	11.375	158.75	6.250	158.75	6.250
		298.45	11.750	158.75	6.250	158.75	6.250
187.325	7.375	269.875	10.625	101.6	4.000	101.6	4.000
		319.964	12.597	161.925	6.375	168.275	6.625
		319.964	12.597	161.925	6.375	168.275	6.625
		320.675	12.625	161.925	6.375	168.275	6.625
		320.675	12.625	161.925	6.375	168.275	6.625
190.5	7.500	317.5	12.500	133.35	5.250	133.35	5.250
		317.5	12.500	133.35	5.250	142.875	5.625
		365.049	14.372	152.4	6.000	158.75	6.250
		365.049	14.372	152.4	6.000	158.75	6.250
		368.3	14.500	152.4	6.000	158.75	6.250
198.438	7.813	279.4	11.000	87.313	3.438	87.313	3.438
		282.575	11.125	87.313	3.438	87.313	3.438
199.975	7.873	317.5	12.500	133.35	5.250	133.35	5.250
		317.5	12.500	133.35	5.250	142.875	5.625
203.2	8.000	317.5	12.500	95.25	3.750	95.25	3.750
		317.5	12.500	123.825	4.875	123.825	4.875
		317.5	12.500	133.35	5.250	133.35	5.250
		317.5	12.500	133.35	5.250	142.875	5.625
		319.088	12.563	95.25	3.750	95.25	3.750
		365.049	14.372	152.4	6.000	158.75	6.250
		365.049	14.372	158.75	6.250	158.75	6.250
		368.3	14.500	152.4	6.000	158.75	6.250
206.375	8.125	279.4	11.000	87.313	3.438	87.313	3.438
		282.575	11.125	87.313	3.438	87.313	3.438

双列圆锥滚子轴承(英制) Double-row Tapered Roller Bearings(Imperial Size)

外形尺寸 Boundary dimensions		极限转速(转/分) Basic load ratings(kN)		型号 Designations	重量(千克) Weight (kg)
r _{smin}	r _{ismin}	Cr	Cor		
mm					
3.2	1.6	943	1920	94704D/94113	39.10
3.2	1.6	930	1880	94706D/94118	36.30
3.2	1.6	943	1920	94704D/94118	44.50
3.2	1.6	939	1600	EE280700D/281200	33.10
3.2	1.6	1080	1950	HM237549TD/HM237510	35.90
3.2	1.6	943	1920	94713TD/94113	38.00
3.2	1.6	943	1920	94713TD/94118	43.40
3.2	1.6	704	1610	M238849/M238810	19.00
4.8	3.2	1590	2790	H239649D/H239610	53.70
4.8	3.2	1460	2530	EE222074D/222126	53.80
4.8	3.2	1470	2530	H239649D/H239612	51.90
4.8	3.2	1280	2450	EE222074D/222128	54.30
3.2	6.4	990	2210	93751D/93125	43.00
3.2	6.4	1040	2270	93751D/93126	45.00
3.2	3.2	1670	3200	EE420750D/421437	72.80
3.2	3.2	1610	2920	EE420750TD/421437	77.20
3.2	3.2	1610	2920	EE420750D/421450	79.40
3.2	3.2	1610	2920	EE420750TD/421450	79.40
3.2	0.8	598	1410	67980TD/67919	16.90
3.2	0.8	598	1410	67980TD/67920	17.80
3.2	6.4	990	2120	93788D/93125	40.00
3.2	6.4	1040	2270	93788D/93126	42.00
3.2	3.2	753	1450	EE132081D/132125	28.00
3.2	1.6	1060	2310	93800D/93125	36.30
3.2	6.4	990	2120	93801D/93125	39.10
3.2	6.4	1200	2270	93801D/93126	41.00
3.2	3.2	753	1450	EE132081D/132127	28.60
3.2	3.2	1500	2690	EE420800D/421437	68.50
3.2	3.2	1610	2920	EE420801D/421437	73.10
3.2	3.2	1800	3300	EE420800D/421450	74.80
3.2	3.2	1610	2920	EE420801D/421450	75.40
3.2	0.8	598	1410	67985D/67919	15.20
3.3	0.8	630	1600	67985D/67920	16.80

双列圆锥滚子轴承(英制) Double-row Tapered Roller Bearings(Imperial Size)

外形尺寸 Boundary dimensions							
d		D		B		T	
mm	in	mm	in	mm	in	mm	in
206.375	8.125	336.55	13.250	184.15	7.250	180.975	7.125
		336.55	13.250	184.15	7.250	180.975	7.125
209.55	8.250	317.5	12.500	184.15	7.250	133.35	5.250
		317.5	12.500	184.15	7.250	142.875	5.625
210.769	8.298	400.05	15.750	212.725	8.375	158.75	6.250
214.975	8.464	285.75	11.250	92.075	3.625	85.725	3.375
		288.925	11.375	92.075	3.625	85.725	3.375
215.9	8.500	285.75	11.250	85.725	3.375	85.725	3.375
		288.925	11.375	85.725	3.375	85.725	3.375
		355.6	14.000	120.65	4.750	120.65	4.750
216.103	8.508	330.02	12.993	142.875	5.625	152.4	6.000
		330.02	12.993	127	5.000	130.175	5.125
219.075	8.625	358.775	14.125	200.025	7.875	196.85	7.750
		358.775	14.125	200.025	7.875	196.85	7.750
219.936	8.659	314.325	12.375	123.822	4.875	115.888	4.563
220.662	8.687	314.325	12.375	115.888	4.563	115.888	4.563
225.425	8.875	355.6	14.000	120.65	4.750	120.65	4.750
		355.6	14.000	165.1	6.500	165.1	6.500
228.6	9.000	327.025	12.875	93.663	3.688	93.663	3.688
		328.625	12.938	93.663	3.688	93.663	3.688
		355.6	14.000	120.65	4.750	120.65	4.750
		355.6	14.000	120.65	4.750	120.65	4.750
		355.6	14.000	165.1	6.500	165.1	6.500
		400.05	15.750	139.7	5.500	139.7	5.500
		400.05	15.750	161.925	6.375	158.75	6.250
234.95	9.250	425.45	16.750	165.1	6.500	177.8	7.000
		327.025	12.875	93.663	3.688	93.663	3.688
		328.625	12.938	93.663	3.688	93.663	3.688
		355.6	14.000	165.1	6.500	158.75	6.250
234.95	9.250	384.175	15.125	209.55	8.250	209.55	8.250
		355.6	14.000	184.15	7.250	184.15	7.250
241.224	9.497	349.148	13.746	107.95	4.250	107.95	4.250
		350.838	13.813	170.95	4.250	107.95	4.250

双列圆锥滚子轴承(英制) Double-row Tapered Roller Bearings(Imperial Size)

外形尺寸 Boundary dimensions		极限转速(转/分) Basic load ratings(kN)		型号 Designations	重量(千克) Weight (kg)
r _{smin}	r _{ismn}	Cr	Cor		
mm					
3.3	1.5	1790	3800	H242649D/242610	64.20
3.2	1.6	1700	3800	H242649TD/H242610	65.10
3.2	1.6	1040	2270	93826TD/93125	48.30
3.2	1.6	1040	2270	93826TD/93126	50.20
3.2	3.2	1690	3210	EE430829TD/431575	98.70
3.2	1.6	611	1560	LM742746TD/LM742710	15.30
3.2	1.6	611	1560	LM742746TD/LM742714	16.30
3.2	0.8	650	1640	LM742749D/LM742710	14.80
3.2	0.8	611	1560	LM742749D/LM742714	15.80
1.6	1.6	1250	2610	EE130850D/131400	50.00
3.2	3.2	1090	2260	9977D/9920	43.20
3.2	1.6	1140	2360	9974D/9920	38.80
6.4	1.6	1890	3950	H244849D/H244810	77.80
6.4	1.6	2120	4580	H244849TD/H244810	80.90
3.2	1.6	1050	2450	M244246TD/M244210	29.60
3.2	1.6	1020	2390	M244249D/M244210	29.60
1.6	5.6	1250	2610	EE130887D/131400	46.80
1.5	8.0	1190	2470	EE130888D/131400	57.70
3.2	1.6	802	1860	8573TD/8520	25.90
3.2	1.6	802	1860	8573TD/8522	26.50
1.6	1.6	1250	2610	EE130900D/131400	45.80
1.6	5.6	1250	2610	EE130901D/131400	45.80
1.5	8.0	1190	2470	EE130903D/131400	56.70
3.2	3.2	1500	2870	EE529091D/529157	74.20
3.2	3.2	1690	3210	EE430901D/431575	84.50
6.4	3.0	2200	4000	EE700090D/700167	110.00
3.2	1.6	805	1880	8576D/8520	24.40
3.2	1.6	802	1860	8576D/8522	24.80
1.6	1.6	1250	2610	EE130926TD/131400	54.20
1.6	1.6	1250	2610	EE130927TD/131400	60.40
6.4	1.6	2090	4450	H247549D/H247510	95.80
3.2	1.6	950	2050	EE127094D/127135	34.00
3.2	1.6	950	2050	EE127094D/127137	34.80

双列圆锥滚子轴承(英制) Double-row Tapered Roller Bearings(Imperial Size)

外形尺寸 Boundary dimensions							
d		D		B		T	
mm	in	mm	in	mm	in	mm	in
241.224	9.497	355.498	13.996	107.95	4.250	107.95	4.250
		355.6	14.000	107.95	4.250	107.95	4.250
241.3	9.500	355.6	14.000	92.862	3.656	92.91	3.658
		365.049	14.372	92.862	3.656	92.91	3.658
		368.3	14.500	92.862	3.656	92.91	3.658
241.478	9.507	349.148	13.746	107.95	4.250	107.95	4.250
		350.838	13.813	107.95	4.250	107.95	4.250
		355.498	13.996	107.95	4.250	107.95	4.250
		355.6	14.000	107.95	4.250	107.95	4.250
		381	15.000	146.05	5.750	146.05	5.750
247.65	9.750	400.05	15.750	114.3	4.500	119.06	4.687
		400.05	15.750	192.088	7.563	196.848	7.750
		406.4	16.000	219.075	8.625	215.9	8.500
250.825	9.875	422.275	16.625	139.7	5.500	152.4	6.000
		431.724	16.997	139.7	5.500	145.258	5.719
252.413	9.938	358.775	14.125	139.7	5.500	130.175	5.125
254	10.000	355.6	14.000	92.862	3.656	92.71	3.650
		358.775	14.125	130.175	5.125	130.175	5.125
		365.049	14.372	92.862	3.656	92.71	3.650
		368.3	14.500	92.862	3.656	92.71	3.650
		422.275	16.625	139.7	5.500	152.4	6.000
		422.275	16.625	139.7	5.500	152.4	6.000
		422.275	16.625	152.4	6.000	152.4	6.000
		431.724	16.997	139.7	5.500	145.258	5.719
		431.724	16.997	152.4	6.000	145.258	5.719
		438.15	17.250	165.1	6.500	165.1	6.500
260.35	10.250	444.5	17.500	133.35	5.250	133.35	5.250
		365.125	14.375	107.95	4.250	107.95	4.250
		368.3	14.500	107.95	4.250	107.95	4.250
		400.05	15.750	114.3	4.500	119.06	4.687
		422.275	16.625	139.7	5.500	152.4	6.000
		422.275	16.625	152.4	6.000	155.575	6.125
422.275	16.625	152.4	6.000	155.575	6.125		

双列圆锥滚子轴承(英制) Double-row Tapered Roller Bearings(Imperial Size)

外形尺寸 Boundary dimensions		极限转速(转/分) Basic load ratings(kN)		型号 Designations	重量(千克) Weight (kg)
r _{smin}	r _{ismin}	Cr	Cor		
mm					
3.2	1.6	950	2050	EE127094D/127138	36.90
3.2	1.6	980	2130	EE127094D/127140	36.90
3.2	1.6	870	1850	EE170951D/171400	32.60
3.2	1.6	870	1850	EE170951D/171436	36.50
3.2	1.6	870	1850	EE170951D/171450	37.80
3.2	1.6	980	2130	EE127097D/127135	33.80
3.2	1.6	950	2050	EE127097D/127137	34.70
3.2	1.6	950	2050	EE127097D/127138	36.90
3.2	1.6	950	2050	EE127097D/127140	36.90
4.8	3.2	1300	2880	EE126096D/126150	61.40
6.4	1.6	1300	2570	EE220975D/221575	56.40
6.4	3.2	1300	2570	EE220977TD/221575	86.10
6.4	3.2	2630	5850	HH249949D/HH249910	115.00
3.2	3.6	1730	3360	HM252340D/HM252310	83.00
3.6	3.6	1730	3360	HM252340D/HM252315	88.50
3.2	1.6	1330	3170	M249746TD/M249710	43.50
3.2	1.6	790	1630	EE171000D/171400	27.10
3.2	3.2	1300	3100	M249748D/M249710	42.00
3.2	1.6	870	1850	EE171000D/171436	32.90
3.2	1.6	870	1850	EE171000D/171450	32.50
3.2	3.6	1730	3360	HM252343D/HM252310	81.60
3.2	3.6	1730	3360	HM252344D/HM252310	81.60
3.2	6.7	1730	3360	HM252342D/HM252310	83.70
3.6	3.6	1730	3360	HM252343D/HM252315	87.10
3.6	6.7	1730	3360	HM252342D/HM252315	89.20
6.4	3.2	2130	3950	738101D/738172	107.00
6.4	3.2	2130	3950	EE822101D/822175	107.00
6.4	3.3	990	2200	EE134102D/134143	34.40
6.4	3.2	970	2150	EE134102D/134145	35.90
6.4	6.4	1220	2460	EE221025D/221575	52.00
3.2	3.6	1730	3360	HM252347D/HM252310	78.80
3.2	6.4	1730	3360	HM252348TD/HM252310	81.50
3.2	6.4	1730	3360	HM252349TD/HM252310	81.50

双列圆锥滚子轴承(英制) Double-row Tapered Roller Bearings(Imperial Size)

外形尺寸 Boundary dimensions							
d		D		B		T	
mm	in	mm	in	mm	in	mm	in
260.35	10.250	422.275	16.625	152.4	6.000	155.575	6.125
		431.724	16.997	139.7	5.500	145.258	5.719
		431.724	16.997	152.4	6.000	155.575	6.125
		431.724	16.997	152.4	6.000	155.575	6.125
		444.5	17.500	196.85	7.750	196.85	7.750
263.525	10.375	400.05	15.750	192.088	7.563	196.848	7.750
264.98	10.432	381	15.000	146.05	5.750	136.525	5.375
266.7	10.500	355.6	14.000	109.538	4.313	107.95	4.250
		355.6	14.000	109.538	4.313	107.95	4.250
		357.2	14.063	109.538	4.313	107.95	4.250
		357.2	14.063	109.538	4.313	107.95	4.250
		393.7	15.500	130.175	5.125	130.175	5.125
		403.225	15.875	130.175	5.125	122.24	4.813
		406.4	16.000	130.175	5.125	122.24	4.813
269.875	10.625	381	15.000	136.525	5.375	136.525	5.375
		381	15.000	136.525	5.375	136.525	5.375
276.225	10.875	393.7	15.500	130.175	5.125	130.175	5.125
		403.225	15.875	130.175	5.125	122.24	4.813
		406.4	16.000	130.175	5.125	122.24	4.813
279.4	11.000	393.7	15.500	127	5.000	127	5.000
		457.2	18.000	244.475	9.625	244.475	9.625
		469.9	18.500	166.688	6.563	169.862	6.687
		469.9	18.500	184.15	7.250	190.5	7.500
		495.3	19.500	134.938	5.313	137.952	5.431
279.578	11.007	380.898	14.996	117.475	4.625	117.475	4.625
280	11.024	406.4	16.000	206.375	8.125	206.375	8.125
		406.4	16.000	206.375	8.125	206.375	8.125
		406.4	16.000	206.375	8.125	206.375	8.125
		409.981	16.141	206.375	8.125	206.375	8.125
		409.981	16.141	206.375	8.125	206.375	8.125
		409.981	16.141	206.375	8.125	206.375	8.125
285.75	11.250	380.898	14.996	117.475	4.625	117.475	4.625
		469.9	18.500	142.875	5.625	138.928	5.470

双列圆锥滚子轴承(英制) Double-row Tapered Roller Bearings(Imperial Size)

外形尺寸 Boundary dimensions		极限转速(转/分) Basic load ratings(kN)		型号 Designations	重量(千克) Weight (kg)
r _{smin}	r _{ismn}	Cr	Cor		
mm					
3.2	9.5	1730	3360	HM252348D/HM252310	84.50
3.6	3.6	1730	3360	HM252347D/HM252315	84.30
3.6	6.4	1730	3360	HM252349D/HM252315	87.10
3.6	9.5	1730	3360	HM252348D/HM252315	90.00
3.2	6.4	2380	4530	EE823103D/823175	125.00
3.2	6.4	2380	4530	EE221039TD/221575	76.10
3.2	3.2	1460	3350	M252345TD/M252310	51.40
3.2	1.6	1040	2670	LM451349D/LM451310	29.90
3.2	1.6	1040	2550	LM451349TD/LM451310	29.50
3.2	1.6	1040	2550	LM451349D/LM451312	30.20
3.2	1.6	1040	2550	LM451349TD/LM451312	30.20
6.4	3.2	1270	3090	EE275106D/275155	55.30
6.4	3.2	1270	3090	EE275106D/275158	59.40
6.4	3.2	1270	3090	EE275106D/275160	61.30
3.2	3.2	1360	3200	M252349D/M252310	48.60
3.2	1.6	1460	3350	M252349TD/M252310	48.50
6.4	1.6	1340	2800	EE275109D/275155	50.50
6.4	1.6	1270	3090	EE275109D/275158	55.30
6.4	1.6	1270	3090	EE275109D/275160	57.20
6.4	1.6	1200	2780	EE135111D/135155	48.10
6.4	1.6	3550	7900	HH255149D/HH255110	158.00
3.3	6.4	3030	4150	EE722111D/722185	119.00
3.2	9.5	2100	4370	EE722112D/722185	123.00
3.2	1.6	1750	3220	EE941106D/941950	114.00
3.2	1.6	1060	2990	LM654645D/LM654610	41.00
3.2	3.2	1310	2950	EE128113TD/128160	85.10
3.2	3.2	1310	2950	EE128113D/128160	81.40
3.2	3.2	1310	2950	EE128114D/128160	81.60
3.2	3.2	1310	2950	EE128113TD/128161	81.40
3.2	3.2	1310	2950	EE128113D/128161	85.10
3.2	3.2	1310	2950	EE128114D/128161	85.10
3.2	1.6	1060	2990	LM654648D/LM654610	38.50
3.2	1.6	1960	3460	EE921126D/921850	97.50

双列圆锥滚子轴承(英制) Double-row Tapered Roller Bearings(Imperial Size)

外形尺寸 Boundary dimensions							
d		D		B		T	
mm	in	mm	in	mm	in	mm	in
285.75	11.250	476.25	18.750	142.875	5.625	138.928	5.470
288.925	11.375	406.4	16.000	144.463	5.688	144.463	5.688
		406.4	16.000	144.463	5.688	144.463	5.688
292.1	11.500	422.275	16.625	130.175	5.125	130.175	5.125
		558.8	22.000	285.75	11.250	285.75	11.250
295.275	11.625	406.4	16.000	203.2	8.000	203.2	8.000
297.523	11.714	422.275	16.625	160.338	6.313	150.813	5.938
298.45	11.750	438.048	17.246	131.763	5.188	131.763	5.188
		444.5	17.500	107.95	4.250	111.125	4.375
		444.5	17.500	107.95	4.250	111.125	4.375
299.974	11.810	438.048	17.246	134.938	5.313	133.35	5.250
300.038	11.813	422.275	16.625	150.812	5.937	150.812	5.937
		422.275	16.625	150.812	5.937	150.812	5.937
303.213	11.938	495.3	19.500	263.525	10.375	263.525	10.375
		495.3	19.500	263.525	10.375	263.525	10.375
304.648	11.994	438.048	17.246	128.588	5.063	138.113	5.438
		438.048	17.246	131.762	5.187	131.762	5.187
		438.048	17.246	134.938	5.313	133.35	5.250
		438.048	17.246	134.938	5.313	138.113	5.438
304.8	12.000	419.1	16.500	130.175	5.125	130.175	5.125
		431.8	17.000	98.425	3.875	120.65	4.750
		438.15	17.250	98.425	3.875	120.65	4.750
		444.5	17.500	107.95	4.250	111.125	4.375
		495.3	19.500	134.938	5.313	137.952	5.431
		495.3	19.500	165.1	6.500	171.45	6.750
		558.8	22.000	285.75	11.250	285.75	11.250
304.902	12.004	412.648	16.246	128.588	5.063	128.588	5.063
304.902	12.004	438.048	17.246	212.725	8.375	196.85	7.750
305	12.008	438.048	17.246	134.145	5.281	138.112	5.437
305.003	12.008	438.048	17.246	134.938	5.313	133.35	5.250
305.054	12.010	500	19.685	200	7.874	200	7.874
317.5	12.500	422.275	16.625	128.588	5.063	128.588	5.063
327.025	12.875	447.675	17.625	158.75	6.250	158.75	6.250

双列圆锥滚子轴承(英制) Double-row Tapered Roller Bearings(Imperial Size)

外形尺寸 Boundary dimensions		极限转速(转/分) Basic load ratings(kN)		型号 Designations	重量(千克) Weight (kg)
r _{smin}	r _{ismn}	Cr	Cor		
mm					
3.2	1.6	1960	3460	EE921126D/921875	103.00
3.2	3.2	1730	4150	M255449D/M255410	58.10
3.2	3.2	1720	4420	M255449TD/M255410	61.40
3.2	6.4	1580	3410	EE330116D/330116	59.90
6.4	3.2	4040	8000	EE790117D/790221	318.00
3.2	1.6	1280	3170	LM757043TD/LM757010	69.40
3.2	3.2	1700	4030	HM256846TD/HM256810	68.50
3.2	3.2	1510	3450	EE329118D/329172	68.90
3.2	7.9	1240	2760	EE291176D/291749	61.10
1.6	7.9	1240	2760	EE291176D/291750	61.20
4.8	3.2	1360	3230	EE129119D/129172	68.70
3.2	3.2	1700	4100	HM256845D/HM256810	66.70
3.2	3.2	1700	4100	HM256845DA/HM256810	66.70
6.4	3.2	4340	9310	HH258249D/HH258210	212.00
6.4	3.2	3990	9340	HH258249TD/HH258210	207.00
4.8	3.2	1610	3490	M757447D/M757410	64.80
3.2	3.2	1520	3500	EE329117D/329172	66.30
4.8	3.2	1530	3500	EE129121D/129172	65.60
4.8	3.2	1610	3490	M757447DE/M757410	65.50
6.4	1.6	1400	3400	M257149D/M257110	53.10
3.2	3.2	1090	2360	EE111201D/111700	51.80
3.2	3.2	1090	2360	EE111201D/111725	55.90
3.2	7.9	1240	2760	EE291200D/291749	55.70
3.2	1.5	1840	3550	EE941206D/941950	103.00
6.4	3.2	2180	4680	EE724121D/724195	130.00
6.4	3.2	4250	8200	EE790119D/790221	307.00
3.2	3.2	1500	3700	M257248D/M257210	49.00
4.8	3.2	1350	3230	EE129124D/129172	93.50
4.0	4.0	1530	3450	M757449D/M757410	65.30
4.8	3.3	1530	3500	EE129123D/129172	63.50
6.4	3.2	2880	6050	HM858548D/HM858511	164.00
1.5	1.5	1360	3500	LM258649D/LM258610	49.70
3.3	3.3	1920	4700	HM259049D/HM259010	78.90

双列圆锥滚子轴承(英制) Double-row Tapered Roller Bearings(Imperial Size)

外形尺寸 Boundary dimensions							
d		D		B		T	
mm	in	mm	in	mm	in	mm	in
327.025	12.875	482.6	19.000	147.638	5.813	152.4	6.000
330.2	13.000	482.6	19.000	147.638	5.813	152.4	6.000
333.375	13.125	469.9	18.500	166.688	6.563	166.688	6.563
		469.9	18.500	166.688	6.563	166.688	6.563
342.9	13.500	523.875	20.625	185.738	7.313	185.738	7.313
		533.4	21.000	146.05	5.750	139.7	5.500
343.052	13.506	571.5	22.500	163.512	6.437	163.512	6.437
		457.098	17.996	122.238	4.813	122.238	4.813
344.091	13.547	488.95	19.250	184.15	7.250	174.625	6.875
346.075	13.625	469.9	18.500	95.25	3.750	104.775	4.125
		482.6	19.000	95.25	3.750	104.775	4.125
		488.95	19.250	95.25	3.750	104.775	4.125
		488.95	19.250	174.625	6.875	174.625	6.875
		488.95	19.250	174.625	6.875	174.625	6.875
347.663	13.688	469.9	18.500	138.112	5.437	138.112	5.437
		469.9	18.500	228.601	9.000	228.601	9.000
355.6	14.000	444.5	17.500	114.3	4.500	112.713	4.438
		457.2	18.000	120.65	4.750	120.65	4.750
		482.6	19.000	128.588	5.063	133.35	5.250
		488.95	19.250	153.988	6.063	153.988	6.063
		501.65	19.750	111.125	4.375	127	5.000
356.387	14.031	514.35	20.250	111.125	4.375	127	5.000
		469.9	18.500	101.6	4.000	104.75	4.124
		482.6	19.000	101.6	4.000	104.75	4.124
368.3	14.500	488.95	19.250	101.6	4.000	104.75	4.124
		523.875	20.625	185.738	7.313	185.738	7.313
		523.875	20.625	185.738	7.313	185.738	7.313
		596.9	23.500	158.75	6.250	165.1	6.500
		609.6	24.000	279.4	11.000	254	10.000
374.574	14.747	622.3	24.500	279.4	11.000	254	10.000
		546.1	21.500	193.675	7.625	193.675	7.625
381.264	15.010	546.1	21.500	193.675	7.625	206.375	8.125
384.175	15.125	546.1	21.500	193.675	7.625	193.675	7.625

双列圆锥滚子轴承(英制) Double-row Tapered Roller Bearings(Imperial Size)

外形尺寸 Boundary dimensions		极限转速(转/分) Basic load ratings(kN)		型号 Designations	重量(千克) Weight (kg)
r _{smin}	r _{ismin}	Cr	Cor		
mm					
3.2	1.6	1850	4100	EE526129D/526190	94.30
3.2	1.6	1850	4100	EE526131D/526190	92.40
3.3	3.3	2100	5200	HM261049D/HM261010	91.40
3.2	3.2	2320	5680	M261049TD/HM261010	92.80
6.4	3.2	2730	6780	M265032TD/HM265010	138.00
3.2	3.2	1810	3600	EE971355D/972100	114.00
6.4	3.2	2700	5050	EE536136D/536225	172.00
3.2	1.5	1430	3230	LM761649D/LM761610	55.20
3.2	3.2	2310	5800	HM262746TD/HM262710	108.00
6.4	1.6	1050	2500	EE161362D/161850	50.70
6.4	1.6	1050	2500	EE161362D/161900	58.40
6.4	1.6	1110	2610	EE161362D/161925	62.00
3.2	3.2	2130	5200	HM262749D/HM262710	104.00
3.2	3.2	2310	5800	HM262749TD/HM262710	105.00
3.2	3.2	1860	4550	M262449D/M262410	68.00
3.2	3.2	1800	4520	M262448TD/M262410	93.70
3.2	1.6	1140	3300	L163149D/L163110	41.00
3.2	1.6	1400	3750	LM263149D/LM263110	50.50
3.2	1.6	1530	3850	LM763449D/LM763410	67.40
3.2	1.6	2030	5000	M263349D/M263310	85.40
3.2	1.6	1350	3280	EE231401D/231975	75.30
3.2	3.2	1350	3280	EE231401D/232025	85.30
6.4	1.6	1050	2500	EE161403D/161850	47.30
6.4	1.6	1050	2500	EE161403D/161900	55.00
6.4	1.6	1050	2500	EE161403D/161925	58.90
6.4	3.3	2950	7450	HM265049D/HM265010	135.00
6.4	3.2	2730	6780	HM265049TD/HM265010	110.00
6.4	6.4	2930	5560	EE181454D/182350	188.00
6.4	3.2	4310	9060	EE321146D/321240	303.00
6.4	3.2	4310	9060	EE321146D/321245	327.00
6.4	3.2	3150	8000	HM266445D/HM266410	159.00
6.4	3.2	3260	8430	HM266446TD/HM266410	159.00
6.4	3.3	3150	8000	HM266449D/HM266410	150.00

双列圆锥滚子轴承(英制) Double-row Tapered Roller Bearings(Imperial Size)

外形尺寸 Boundary dimensions							
d		D		B		T	
mm	in	mm	in	mm	in	mm	in
384.175	15.125	546.1	21.500	193.675	7.625	193.675	7.625
393.7	15.500	546.1	21.500	120.65	4.750	141.288	5.563
		546.1	21.500	138.112	5.437	138.113	5.438
		558.8	22.000	120.65	4.750	119.063	4.688
400.05	15.750	609.6	24.000	142.875	5.625	157.163	6.188
406.4	16.000	546.1	21.500	120.65	4.750	141.288	5.563
		546.1	21.500	138.113	5.438	138.113	5.438
		558.8	22.000	120.65	4.750	119.063	4.688
		574.675	22.625	114.3	4.500	130.967	5.156
		590.55	23.250	209.55	8.250	209.55	8.250
		609.6	24.000	149.225	5.875	157.163	6.188
		622.3	24.500	155.575	6.125	152.705	6.012
		635	25.000	155.575	6.125	152.575	6.007
406.476	16.003	673.049	26.498	195.262	7.687	195.262	7.687
409.575	16.125	546.1	21.500	161.925	6.375	161.925	6.375
413.677	16.286	590.55	23.250	225.425	8.875	209.55	8.250
415.925	16.375	590.55	23.250	209.55	8.250	209.55	8.250
		590.55	23.250	209.55	8.250	209.55	8.250
419.1	16.500	622.3	24.500	155.575	6.125	152.705	6.012
		635	25.000	155.575	6.125	152.705	6.012
419.227	16.505	736.448	28.994	406.4	16.000	406.4	16.000
425.45	16.750	685.698	26.996	253.873	9.995	254	10.000
426.89	16.807	635	25.000	231.775	9.125	223.838	8.813
431.8	17.000	571.5	22.500	130.175	5.125	133.35	5.250
		571.5	22.500	133.35	5.250	136.526	5.375
		571.5	22.500	161.925	6.375	161.925	6.375
		635	25.000	173.038	6.813	173.038	6.813
431.902	17.004	685.698	26.996	253.873	9.995	254	10.000
432.003	17.008	609.524	23.997	152.4	6.000	152.4	6.000
		609.524	23.997	152.4	6.000	161.925	6.375
442.674	17.428	635	25.000	239.713	9.438	223.838	8.813
446.204	17.567	635	25.000	231.775	9.125	223.838	8.813
447.675	17.625	635	25.000	223.838	8.813	223.838	8.813

双列圆锥滚子轴承(英制) Double-row Tapered Roller Bearings(Imperial Size)

外形尺寸 Boundary dimensions		极限转速(转/分) Basic load ratings(kN)		型号 Designations	重量(千克) Weight (kg)
r _{smin}	r _{ismin}	Cr	Cor		
mm					
6.4	3.2	3260	8430	HM266449TD/HM266410	155.00
6.4	3.2	1400	3300	EE234157D/234215	92.20
6.4	1.6	1870	5100	LM767745D/LM767710	97.40
6.4	3.2	1490	3810	EE234157D/234220	97.20
6.4	3.6	2440	5280	EE911576D/912400	161.00
6.4	1.6	1400	3300	EE234161D/234215	84.70
6.4	1.6	1840	4700	LM767749D/LM767710	90.50
6.4	1.6	1490	3810	EE234161D/234220	89.80
3.2	3.2	1630	3880	EE285161D/285226	105.00
6.4	3.2	3390	8930	M268743TD/M268710	199.00
6.4	3.6	2440	5280	EE911603D/912400	158.00
6.7	3.6	2480	5030	EE261602D/262450	169.00
6.7	3.6	2480	5030	EE261602D/262500	184.00
6.4	3.2	3850	7950	EE623161D/623265	292.00
6.4	1.6	2380	6220	M667947D/M667911	110.00
6.4	3.2	3390	8930	M268746TD/M268710	195.00
6.4	3.2	3710	9170	M268749D/M268710	181.00
6.4	3.2	3710	9170	M268749TD/M268710	189.00
6.7	3.6	2770	6150	EE261560D/262450	168.00
6.7	3.6	2480	5030	EE261560D/262500	174.00
6.4	6.4	8550	19900	EE323166D/323290	775.00
6.4	6.4	5010	11000	EE328167D/328269	367.00
6.4	3.2	3930	10500	M270737TD/M270710	261.00
3.2	1.6	1850	4650	EE239171D/239225	92.00
3.2	1.6	1880	4950	LM869449D/LM869410	92.10
3.2	6.4	2160	5900	LM769349D/LM769310	112.00
6.4	6.4	3200	7250	EE931170D/931250	193.00
6.4	6.4	5110	11000	EE328172D/328269	362.00
6.4	3.6	2600	6060	EE736173D/736238	135.00
6.4	3.6	2600	6060	EE736173D/736237	139.00
6.4	3.2	3930	10500	M270746TD/270710	244.00
6.4	3.2	3930	10500	M270747TD/M270710	244.00
6.4	3.2	4150	11100	M270749D/M270710	232.00

双列圆锥滚子轴承(英制) Double-row Tapered Roller Bearings(Imperial Size)

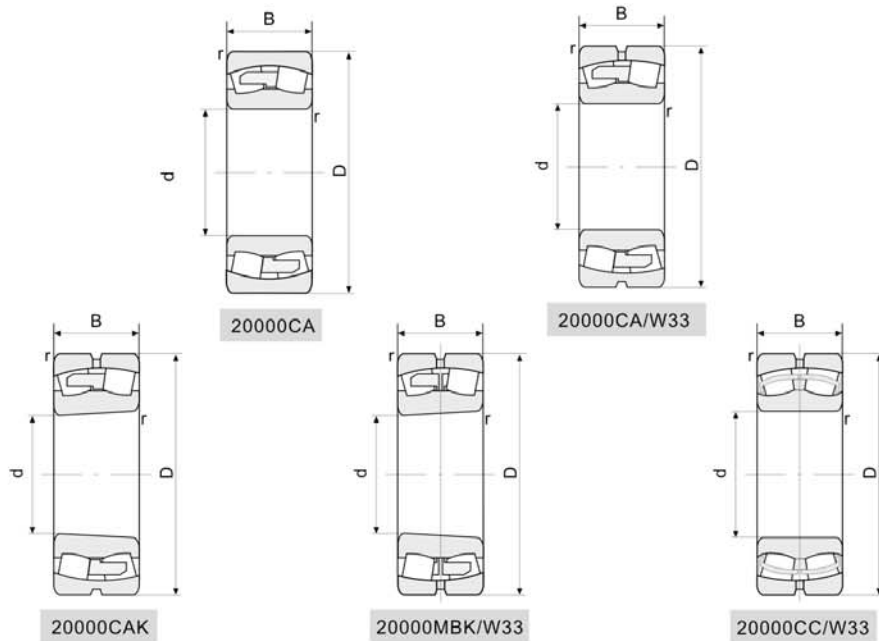
外形尺寸 Boundary dimensions							
d		D		B		T	
mm	in	mm	in	mm	in	mm	in
447.675	17.625	635	25.000	223.838	8.813	223.838	8.813
457.073	17.995	730.148	28.746	196.85	7.750	203.2	8.000
		749.3	29.500	412.75	16.250	419.1	16.500
457.2	18.000	596.9	23.500	130.175	5.125	133.35	5.250
		596.9	23.500	133.35	5.250	136.525	5.375
		660.4	26.000	155.575	6.125	155.572	6.125
457.403	18.008	730.148	28.746	196.85	7.750	203.2	8.000
477.441	18.797	679.45	26.750	257.175	10.125	238.125	9.375
479.425	18.875	679.45	26.750	238.125	9.375	238.125	9.375
		679.45	26.750	238.125	9.375	238.125	9.375
482.6	19.000	647.7	25.500	201.612	7.937	201.612	7.937
489.026	19.253	634.873	24.995	152.4	6.000	152.4	6.000
		634.873	24.995	153.988	6.063	153.988	6.063
501.65	19.750	711.2	28.000	250.825	9.875	250.825	9.875
		711.2	28.000	250.825	9.875	250.825	9.875

双列圆锥滚子轴承(英制) Double-row Tapered Roller Bearings(Imperial Size)

外形尺寸 Boundary dimensions		极限转速(转/分) Basic load ratings(kN)		型号 Designations	重量(千克) Weight (kg)
r _{smin}	r _{ismn}	Cr	Cor		
mm					
6.4	3.2	3930	10500	M270749TD/M270710	234.00
6.4	1.6	4150	8230	EE671798D/672873	315.00
6.4	3.2	8700	21200	EE925179D/925295	760.00
3.2	1.6	1790	4750	EE244181D/244235	96.90
3.2	1.6	1920	5000	L770849D/L770810	98.90
6.4	3.2	2320	5260	EE737179D/737260	175.00
6.4	1.6	4150	8230	EE671802D/672873	315.00
6.4	3.2	4240	11100	M272746TD/M272710	285.00
6.4	3.2	4240	11100	M272749TD/M272710	281.00
6.4	3.3	4800	12800	M272749D/M272710	290.00
6.4	3.2	3700	10100	M272647D/M272610	185.00
3.2	3.2	2610	6980	EE243193D/243250	130.00
3.2	3.2	2350	6350	LM772749D/LM772710	125.00
6.4	3.2	5220	13010	M274149D/M274110	314.00
6.4	3.2	4810	12800	M274149TD/M274110	323.00



调心滚子轴承
Spherical Roller Bearings



调心滚子轴承 Spherical Roller Bearings

外形尺寸(毫米) Boundary dimensions(mm)				基本额定负荷 (千牛) Basic load ratings(kN)		极限转速 (转/分) Speed rating (rpm)		型号 Designations		重量(千克) Weight(kg)
d	D	B	r _{min}	Cr	Cor	Grease	Oil	圆柱孔 Cylindrical bore	圆锥孔 Tapered bore	
100	180	46	2.1	276	430	2200	3000	22220/W33	22220K/W33	5.24
	215	73	3.0	455	660	1700	2200	22320/W33	22320K/W33	13.10
	150	37	1.5	210	345	2200	2800	23020/W33	23020K/W33	2.36
	165	52	2.0	200	410	2000	2800	23120/W33	23120K/W33	4.56
	180	60.3	2.1	242	460	1700	2200	23220/W33	23220K/W33	6.93
	150	50	1.5	267	345	1700	2100	24020/W33	24020K/W33	3.07
	165	65	2.0	345	640	1100	1600	24120/W33	24120K/W33	5.71
105	175	56	2.0	365	585	1950	2700	23121/W33	23121K/W33	5.48
110	200	53	2.1	320	515	2000	2800	22222/W33	22222K/W33	7.26
	240	80	3.0	570	830	1600	2000	22322/W33	22322K/W33	18.10
	170	45	2.0	200	395	2200	3000	23022/W33	23022K/W33	3.95
	180	56	2.0	206	445	1900	2600	23122/W33	23122K/W33	5.99
	200	69.8	2.1	315	545	1600	2000	23222/W33	23222K/W33	10.60
	170	60	2.0	365	650	1500	2050	24022/W33	24022K/W33	5.11
	180	69	2.0	252	495	1000	1400	24122/W33	24122K/W33	7.17
120	215	58	2.1	380	620	1900	2600	22224/W33	22224K/W33	10.10
	260	86	3.0	635	975	1400	1800	22324/W33	22324K/W33	22.20
	180	46	2.0	205	445	2000	2800	23024/W33	23024K/W33	4.10
	200	62	2.0	296	575	1800	2400	23124/W33	23124K/W33	7.53
	215	76	2.1	390	700	1500	1900	23224/W33	23224K/W33	11.70
	180	60	2.0	231	470	1600	2000	24024/W33	24024K/W33	6.33
	200	80	2.0	515	980	950	1200	24124/W33	24124K/W33	10.40
130	230	64	3.0	445	760	1800	2400	22226/W33	22226K/W33	11.50
	280	93	4.0	700	1110	1300	1700	22326/W33	22326K/W33	28.20
	200	52	2.0	270	575	1900	2600	23026/W33	23026K/W33	6.30
	210	64	2.0	325	625	1700	2200	23126/W33	23126K/W33	8.89
	230	80	3.0	430	790	1300	1700	23226/W33	23226K/W33	14.80
	200	69	2.0	281	585	1500	1900	24026/W33	24026K/W33	7.64
	210	80	2.0	530	1030	900	1100	24126/W33	24126K/W33	11.10
140	250	68	3.0	530	855	1700	2200	22228/W33	22228K/W33	14.20
	300	102	4.0	815	1290	1100	1500	22328/W33	22328K/W33	34.90
	210	53	2.0	285	590	1800	2400	23028/W33	23028K/W33	6.80
	225	68	2.1	390	770	1600	2000	23128/W33	23128K/W33	10.90

调心滚子轴承 Spherical Roller Bearings

外形尺寸(毫米) Boundary dimensions(mm)				基本额定负荷 (千牛) Basic load ratings(kN)		极限转速 (转/分) Speed rating (rpm)		型号 Designations		重量(千克) Weight(kg)
d	D	B	r _{min}	Cr	Cor	Grease	Oil	圆柱孔 Cylindrical bore	圆锥孔 Tapered bore	
140	250	88	3.0	775	1212	1200	1600	23228/W33	23228K/W33	18.90
	210	69	2.0	282	610	1400	1800	24028/W33	24028K/W33	8.86
	225	85	2.1	620	1240	850	1100	24128/W33	24128K/W33	13.00
150	270	73	3.0	550	950	1600	2000	22230/W33	22230K/W33	18.50
	320	108	4.0	910	1530	1000	1400	22330/W33	22330K/W33	41.50
	225	56	2.1	325	735	1700	2200	23030/W33	23030K/W33	8.43
	250	80	2.1	415	980	1400	1800	23130/W33	23130K/W33	16.70
	270	96	3.0	700	1420	1100	1500	23230/W33	23230K/W33	24.30
	225	75	2.1	335	740	1300	1700	24030/W33	24030K/W33	10.60
	250	100	2.1	765	1500	800	1000	24130/W33	24130K/W33	19.50
160	290	80	3.0	645	1120	1500	1900	22232/W33	22232K/W33	23.50
	340	114	4.0	900	1620	1000	1300	22332/W33	22332K/W33	50.30
	240	60	2.1	355	775	1700	2200	23032/W33	23032K/W33	10.20
	270	86	2.1	495	975	1300	1700	23132/W33	23132K/W33	21.20
	290	104	3.0	600	1260	1000	1400	23232/W33	23232K/W33	26.50
	240	80	2.1	390	865	1100	1500	24032/W33	24032K/W33	12.90
	270	109	2.1	590	1230	700	900	24132/W33	24132K/W33	26.00
170	310	86	4.0	730	1300	1300	1700	22234/W33	22234K/W33	28.90
	360	120	4.0	1100	1860	950	1300	22334/W33	22334K/W33	60.10
	260	67	2.1	450	985	1600	2000	23034/W33	23034K/W33	13.70
	280	88	2.1	645	1250	1200	1600	23134/W33	23134K/W33	23.00
	310	110	4.0	710	1480	950	1300	23234/W33	23234K/W33	36.10
	260	90	2.1	830	1630	1000	1400	24034/W33	24034K/W33	18.00
	280	109	2.1	980	2010	670	850	24134/W33	24134K/W33	26.50
180	320	86	4.0	750	1370	1300	1700	22236/W33	22236K/W33	31.10
	380	126	4.0	1180	2010	900	1200	22336/W33	22336K/W33	70.90
	280	74	2.1	500	1110	1400	1800	23036/W33	23036K/W33	18.10
	300	96	3.0	700	1420	1100	1500	23136/W33	23136K/W33	28.70
	320	112	4.0	750	1600	900	1200	23236/W33	23236K/W33	39.70
	250	52	2.0	465	895	1700	2200	23936/W33	23936K/W33	7.80
	280	100	2.1	755	1510	950	1300	24036/W33	24036K/W33	22.50
	300	118	3.0	1160	2120	630	800	24136/W33	24136K/W33	33.00
	340	92	4.0	800	1470	1200	1600	22238/W33	22238K/W33	37.00

调心滚子轴承 Spherical Roller Bearings

外形尺寸(毫米) Boundary dimensions(mm)				基本额定负荷 (千牛) Basic load ratings(kN)		极限转速 (转/分) Speed rating (rpm)		型号 Designations		重量(千克) Weight(kg)
d	D	B	r _{min}	Cr	Cor	Grease	Oil	圆柱孔 Cylindrical bore	圆锥孔 Tapered bore	
180	400	132	5.0	1310	2260	850	1100	22338/W33	22338K/W33	82.60
	290	75	2.1	560	1200	1200	1700	23038/W33	23038K/W33	19.60
	320	104	3.0	730	1580	1000	1400	23138/W33	23138K/W33	35.60
	340	120	4.0	840	1790	850	1100	23238/W33	23238K/W33	46.30
	260	52	2.0	465	935	1700	2200	23938/W33	23938K/W33	8.35
	290	100	2.1	605	1380	950	1300	24038/W33	24038K/W33	23.80
	320	128	3.0	1250	2520	600	750	24138/W33	24138K/W33	43.50
190	340	92	4.0	800	1470	1200	1600	22238/W33	22238K/W33	37.00
	400	132	5.0	1310	2260	850	1100	22338/W33	22338K/W33	82.60
	290	75	2.1	560	1200	1200	1700	23038/W33	23038K/W33	19.60
	320	104	3.0	730	1580	1000	1400	23138/W33	23138K/W33	35.60
	340	120	4.0	840	1790	850	1100	23238/W33	23238K/W33	46.30
	260	52	2.0	465	935	1700	2200	23938/W33	23938K/W33	8.35
	290	100	2.1	605	1380	950	1300	24038/W33	24038K/W33	23.80
200	320	128	3.0	1250	2520	600	750	24138/W33	24138K/W33	43.50
	360	98	4.0	940	1690	1000	1500	22240/W33	22240K/W33	44.20
	420	138	5.0	1410	2450	800	1100	22340/W33	22340K/W33	96.00
	310	82	2.1	595	1240	1100	1600	23040/W33	23040K/W33	25.00
	340	112	3.0	760	1670	950	1300	23140/W33	23140K/W33	40.60
	360	128	4.0	860	1860	850	1100	23240/W33	23240K/W33	57.60
	310	109	2.1	685	1560	900	1200	24040/W33	24040K/W33	28.70
220	340	140	3.0	1430	2920	560	700	24140/W33	24140K/W33	52.10
	400	108	4.0	1200	2170	950	1300	22244/W33	22244K/W33	62.00
	460	145	5.0	1680	2990	750	950	22344/W33	22344K/W33	120.00
	340	90	3.0	780	1650	1050	1500	23044/W33	23044K/W33	30.40
	370	120	4.0	1330	2430	900	1200	23144/W33	23144K/W33	54.80
	400	144	4.0	1200	2410	750	950	23244/W33	23244K/W33	82.20
	300	60	2.1	546	1080	1500	1900	23944/W33	23944K/W33	13.00
240	340	118	3.0	845	1910	850	1100	24044/W33	24044K/W33	40.00
	370	150	4.0	1640	3450	500	650	24144/W33	24144K/W33	67.20
	440	120	4.0	1460	2670	900	1200	22248/W33	22248K/W33	84.90
	500	155	5.0	1910	3500	670	850	22348/W33	22348K/W33	151.00
	360	92	3.0	835	1810	1000	1200	23048/W33	23048K/W33	35.00

调心滚子轴承 Spherical Roller Bearings

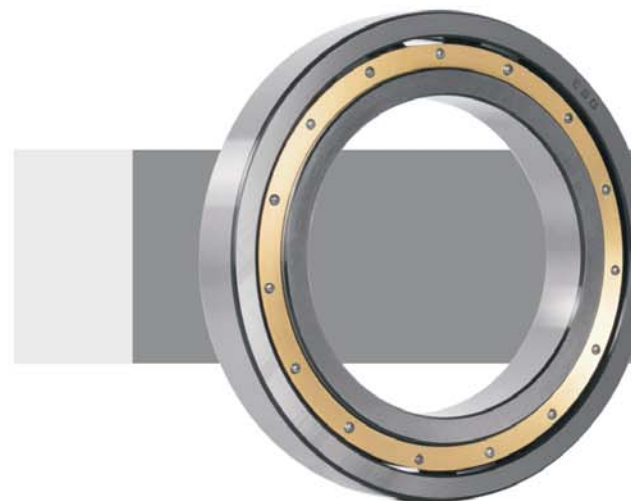
外形尺寸(毫米) Boundary dimensions(mm)				基本额定负荷 (千牛) Basic load ratings(kN)		极限转速 (转/分) Speed rating (rpm)		型号 Designations		重量(千克) Weight(kg)	
d	D	B	r _{min}	Cr	Cor	Grease	Oil	圆柱孔 Cylindrical bore	圆锥孔 Tapered bore		
240	400	128	4.0	1070	2500	850	1100	23148/W33	23148K/W33	67.60	
	440	160	4.0	1560	3200	670	850	23248/W33	23248K/W33	109.00	
	320	60	2.1	635	1310	1300	1700	23948/W33	23948K/W33	13.90	
	360	118	3.0	885	2090	800	1000	24048/W33	24048K/W33	42.00	
260	480	130	5.0	1990	3600	850	1100	22252/W33	22252K/W33	109.00	
	540	165	6.0	2190	4000	630	800	22352/W33	22352K/W33	191.00	
	400	104	4.0	1000	2350	900	1200	23052/W33	23052K/W33	47.20	
	440	144	4.0	1290	3050	800	1000	23152/W33	23152K/W33	90.80	
	480	174	5.0	2070	3650	630	800	23252/W33	23252K/W33	146.00	
	360	75	2.1	940	1990	1100	1500	23952/W33	23952K/W33	23.90	
	400	140	4.0	1320	2710	700	900	24052/W33	24052K/W33	63.50	
	440	180	4.0	2310	5000	430	530	24152/W33	24152K30/W33	115.00	
280	500	130	5.0	2100	3650	800	1000	22256/W33	22256K/W33	111.00	
	580	175	6.0	2610	4800	600	750	22356/W33	22356K/W33	229.00	
	420	106	4.0	1050	2340	850	1100	23056/W33	23056K/W33	52.40	
	460	146	5.0	2070	4400	750	850	23156/W33	23156K/W33	105.00	
	500	176	5.0	2470	4550	600	670	23256/W33	23256K/W33	153.00	
	380	75	2.1	970	2120	1000	1400	23956/W33	23956K/W33	25.10	
	420	140	4.0	1240	2950	670	850	24056/W33	24056K30/W33	66.50	
	460	180	5.0	2530	5000	400	480	24156Q1/W33	24156K30Q1/W33	120.00	
	300	540	140	5.0	2450	4600	750	950	22260/W33	22260K/W33	137.00
		620	185	7.5	3400	5900	530	630	22360/W33	22360K/W33	274.00
460		118	4.0	1260	2920	800	1000	23060/W33	23060K/W33	69.80	
500		160	5.0	2400	5050	670	850	23160/W33	23160K/W33	132.00	
540		192	5.0	3400	6250	530	670	23260/W33	23260K/W33	198.00	
420		90	3.0	1260	2690	950	1300	23960/W33	23960K/W33	40.20	
460		160	4.0	1490	3600	600	750	24060/W33	24060K30/W33	98.50	
500		200	5.0	1890	4450	360	420	24160/W33	24160K30/W33	160.00	
320	580	150	5.0	2860	5350	670	850	22264/W33	22264K/W33	177.00	
	480	121	4.0	1390	3100	800	1000	23064/W33	23064K/W33	78.50	
	540	176	5.0	1950	4250	630	800	23164/W33	23164K/W33	166.00	
	580	208	5.0	3620	5610	500	630	23264/W33	23264K/W33	260.00	
	440	90	3.0	1250	2710	900	1200	23964/W33	23964K/W33	43.00	

调心滚子轴承 Spherical Roller Bearings

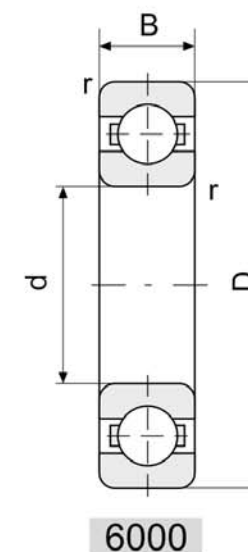
外形尺寸(毫米) Boundary dimensions(m m)				基本额定负荷 (千牛) Basic load ratings(kN)		极限转速 (转/分) Speed rating (rpm)		型号 Designations		重量(千克) Weight(kg)
d	D	B	r _{min}	Cr	Cor	Grease	Oil	圆柱孔 Cylindrical bore	圆锥孔 Tapered bore	
320	480	160	4.0	2500	5400	560	700	24064/W33	2406430K/W33	105.00
	540	218	5.0	3350	7300	340	400	24164/W33	24164K30/W33	207.00
340	520	133	5.0	1640	3800	700	900	23068/W33	23068K/W33	109.00
	580	190	5.0	3250	6800	600	750	23168/W33	23168K/W33	220.00
	620	224	6.0	2750	5900	430	530	23268/W33	23268K/W33	318.00
	460	90	3.0	1270	2810	900	1200	23968/W33	23968K/W33	44.00
	520	180	5.0	2930	6350	530	670	24068/W33	24068K/W33	143.00
360	580	243	5.0	4660	8650	320	400	24168/W33	24168K30/W33	270.00
	750	224	7.5	5500	8900	450	500	22372/W33	22372K/W33	464.00
	540	134	5.0	1710	4000	670	850	23072/W33	23072K/W22	113.00
	600	192	5.0	3400	7300	560	700	23172/W33	23172K/W33	228.00
	650	232	6.0	4900	9200	400	500	23272/W33	23272K/W33	342.00
	480	90	3.0	1330	2510	850	1100	23972/W33	23972K/W33	49.10
	540	180	5.0	2020	5150	500	630	24072/W33	24072K30/W33	149.00
	600	243	5.0	5600	9700	300	380	24172/W33	24172K30/W33	278.00
380	780	230	7.5	5300	9600	430	450	22376/W33	22376K/W33	555.00
	560	135	5.0	1750	4250	630	800	23076/W33	23076K/W33	120.00
	620	194	5.0	2470	5650	400	500	23176/W33	23176K/W33	251.00
	680	240	6.0	5060	9150	380	480	23276/W33	23276K/W33	375.00
	520	106	4.0	1410	2670	800	1000	23976/W33	23976K/W33	73.50
	560	180	5.0	3050	6850	480	600	24076/W33	24076K30/W33	158.00
	620	243	5.0	3950	8900	190	260	24176/W33	24176K30/W33	304.00
	400	820	243	7.5	4350	9000	400	320	22380/W33	22380K/W33
600		148	5.0	2120	5000	600	750	23080/W33	23080K/W33	152.00
650		200	6.0	2690	6200	380	480	23180/W33	23180K/W33	265.00
720		256	6.0	3600	7800	340	430	23280/W33	23280K/W33	469.00
540		106	4.0	1740	4250	750	950	23980/W33	23980K/W33	73.70
600		200	5.0	3650	8250	450	560	24080/W33	24080K30/W33	203.00
650		250	6.0	4750	9900	180	240	24180/W33	24180K30/W33	335.00
420		620	150	5.0	2980	6450	450	560	23084/W33	23084K/W33
	700	224	6.0	4400	9600	360	450	23184/W33	23184K/W33	353.00
	760	272	7.5	6450	11600	320	400	23284/W33	23284K/W33	554.00
	620	200	5.0	3750	8500	380	480	24084/W33	24084K30/W33	241.00

调心滚子轴承 Spherical Roller Bearings

外形尺寸(毫米) Boundary dimensions(mm)				基本额定负荷 (千牛) Basic load ratings(kN)		极限转速(转/分) Speed rating (rpm)		型号 Designations		重量(千克) Weight(kg)
d	D	B	r _{min}	Cr	Cor	Grease	Oil	圆柱孔 Cylindrical bore	圆锥孔 Tapered bore	
420	700	280	6.0	5350	12400	170	240	24184/W33	24184K30/W33	448.00
440	650	157	6.0	2330	5500	390	530	23088/W33	23088K/W33	187.00
	720	226	6.0	4500	10000	360	450	23188/W33	23188K/W33	378.00
	790	280	7.5	6730	12500	320	400	23288/W33	23288K/W33	617.00
	720	280	6.0	5400	12600	170	220	24188/W33	24188K30/W33	453.00
460	680	163	6.0	3550	7650	380	500	23092/W33	23092K/W33	224.00
	760	240	7.5	3150	8450	320	400	23192/W33	23192K/W33	468.00
	830	296	7.5	7360	13700	300	380	23292/W33	23292K/W33	695.00
	680	218	6.0	4250	9700	340	430	24092/W33	24092K30/W33	280.00
	760	300	7.5	6800	14500	160	200	24192/W33	24192K30/W33	561.00
480	700	165	6.0	3650	8100	370	480	23096/W33	23096K/W33	220.00
	790	248	7.5	5600	12700	300	380	23196/W33	23196K/W33	504.00
	870	310	7.5	8300	16300	260	340	23296/W33	23296K/W33	840.00
	700	218	6.0	4490	10000	340	430	24096/W33	24096K30/W33	283.00
500	720	167	6.0	3550	8800	360	480	230500/W33	230500K/W33	227.00
	920	336	7.5	8250	17500	240	320	232500/W33	232500K/W33	1020.00
	720	218	6.0	4600	10400	320	400	240500/W33	240500K30/W33	295.00
530	780	185	6.0	4100	10100	340	430	230530/W33	230530K/W33	310.00
	780	250	6.0	5640	12700	280	360	240530/W33	240530K30/W33	406.00
560	820	195	6.0	4650	11400	340	410	230560/W33	230560K/W33	357.00
	920	280	7.5	6900	15700	240	320	231560/W33	230560K/W33	756.00
600	870	200	6.0	5000	12400	300	380	230600/W33	230600K/W33	399.00
	1090	388	9.5	11800	23600	190	260	232600/W33	232600K/W33	1670.00
	800	150	5.0	3500	8950	320	400	239600/W33	239600K/W33	214.00
	980	375	7.5	9950	21800	110	150	241600/W33	241600K30/W33	1100.00
630	920	212	7.5	5500	13800	240	380	230360/W33	230630K/W33	493.00
	850	165	6.0	4100	10100	280	360	239630/W33	239630K/W33	277.00
	1030	400	7.5	11200	25000	100	140	241630/W33	241630K30/W33	1330.00



深沟球轴承
Deep Groove Ball Bearings



深沟球轴承 Deep Groove Ball Bearings

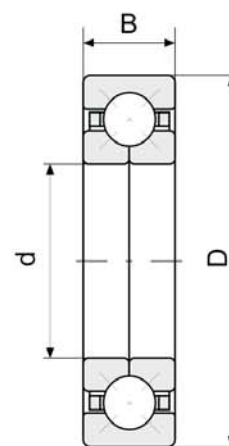
外形尺寸(毫米) Boundary dimensions(mm)				基本额定负荷 (千牛) Basic load ratings(kN)		极限转速(转/分) Speed rating (rpm)		型号 Designations	重量(千克) Weight (kg)
d	D	B	r _{min}	Cr	Cor	Grease	Oil		
140	190	24	1.5	51	71	2600	3400	61928M	2.00
	210	33	2.0	80.9	102	2400	3200	6028M	4.11
150	210	28	2.0	62.7	85.2	2300	3100	61930M	3.20
	225	35	2.1	85	110	2200	2900	6030M	5.24
	230	35	2.1	85	110	2200	2900	6030X1M	5.50
155	215	28	2.0	62.4	85.3	2300	3000	61931M	3.20
160	220	28	2.0	64.5	90.5	2200	2900	61932M	3.30
	240	38	2.1	85.8	118	2000	2700	6032M	6.54
170	230	28	2.0	68	100	2000	2700	61934M	3.44
	260	42	2.1	97	137	1900	2500	6034M	8.53
	265	42	2.1	97	137	1900	2500	6034X2-1M	9.00
	270	42	2.1	97	137	1800	2400	6034X2-2M	9.60
180	250	33	2.0	84.6	119	1900	2500	61936M	4.80
	259.5	33	2.0	90	130	1800	2400	61936X2M	6.06
	259.5	52	2.0	98	137	1800	2400	63936X2M	9.56
	260	42	2.0	98	137	1800	2400	62936X2M	7.70
	280	46	2.1	134	180	1700	2300	6036M	11.10
190	240	24	1.5	54.6	84.2	1900	2500	61838M	2.80
	260	33	2.0	90	133	1800	2400	61938M	5.20
	269.5	33	2.0	90	133	1700	2300	61938X1M	6.30
	290	46	2.1	144	200	1600	2200	6038M	11.50
200	250	24	1.5	55.5	87.6	1800	2400	61840M	3.00
	279.5	38	2.1	110	158	1600	2200	61940X1-1M	7.30
	280	38	2.1	110	158	1600	2200	61940M	7.39
	289.5	38	2.1	110	158	1600	2200	61940X1-2M	8.70
220	310	51	2.1	159	225	1500	2000	6040M	15.20
	270	24	1.5	57.3	94.2	1600	2200	61844M	3.20
	300	38	2.1	105	162	1500	2000	61944M	8.20
	300	60	2.1	105	162	1500	2000	63944M	13.00
	309.5	38	3.0	116	178	1450	1930	61944X1M	9.48
340	56	3.0	172	265	1350	1800	6044M	20.40	
230	329.5	40	3.0	139	215	1350	1800	61946X3M	11.70
240	300	28	2.0	73.6	122	1400	1860	61848M	4.80

深沟球轴承 Deep Groove Ball Bearings

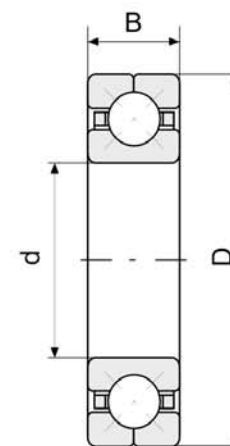
外形尺寸(毫米) Boundary dimensions(mm)				基本额定负荷 (千牛) Basic load ratings(kN)		极限转速(转/分) Speed rating (rpm)		型号 Designations	重量(千克) Weight (kg)	
d	D	B	r _{min}	Cr	Cor	Grease	Oil			
240	320	38	2.1	119	186	1350	1800	61948M	8.60	
	359.5	56	3.0	177	286	1230	1640	6048X1M	19.70	
	360	56	3.0	177	286	1230	1640	6048M	20.40	
250	359.5	46	2.1	157	254	1200	1600	61950X1M	16.00	
260	320	28	2.0	76	131	1300	1720	61852M	5.20	
	360	46	2.1	163	269	1180	1570	61952M	14.90	
	369.5	46	2.1	163	269	1150	1530	61952X1-2M	16.50	
	369.5	60	2.1	163	269	1150	1530	62952X1-1M	21.60	
	370	46	2.1	163	269	1150	1530	61952X1-1M	16.60	
	374.5	60	2.1	163	269	1140	1520	62952X1-2M	22.70	
280	400	65	4.0	224	376	1080	1440	6052M	31.00	
	350	33	2.0	99.8	170	1150	1530	61856M	7.60	
	375	65	2.1	167	285	1100	1460	62956X3-1M	21.10	
	380	46	2.1	167	285	1080	1440	61956M	15.30	
	389.5	46	2.1	167	285	1060	1420	61956X1-2M	17.80	
	389.5	65	3.0	181	310	1060	1420	62956X3-2M	24.10	
	390	46	2.1	167	285	1060	1420	61956X1-1M	17.90	
	420	65	4.0	232	407	1000	1340	6056M	32.90	
	300	380	38	2.1	114	198	1040	1390	61860M	10.70
		419.5	56	3.0	198	349	960	1290	61960X1M	25.00
420		56	3.0	198	349	960	1290	61960M	25.10	
459.5		74	4.0	257	473	900	1220	6060X1M	47.50	
460		74	4.0	257	473	900	1220	6060M	47.60	
320	400	38	2.1	115	205	960	1290	61864M	11.20	
	440	56	3.0	212	394	900	1220	61964M	26.20	
	459.5	70	4.0	237	442	880	1170	62964X3M	38.30	
	480	74	4.0	269	509	850	1130	6064M	48.70	
340	420	38	2.1	119	219	900	1220	61868M	11.70	
	460	56	3.0	218	418	850	1130	61968M	27.20	
	520	82	5.0	310	596	800	1050	6068M	62.00	
360	440	38	2.1	120	226	850	1130	61872M	12.50	
	480	56	3.0	223	438	820	1080	61972M	28.50	
	540	82	5.0	324	649	760	1000	6072M	64.50	

深沟球轴承 Deep Groove Ball Bearings

外形尺寸(毫米) Boundary dimensions(mm)				基本额定负荷 (千牛) Basic load ratings(kN)		极限转速(转/分) Speed rating (rpm)		型号 Designations	重量(千克) Weight (kg)
d	D	B	r _{min}	Cr	Cor	Grease	Oil		
380	480	46	2.1	178	337	800	1050	61876M	20.00
	520	65	4.0	250	505	760	1000	61976M	40.00
	560	82	5.0	336	699	720	950	6076M	67.50
400	500	46	2.1	181	350	760	1000	61880M	20.50
	540	65	4.0	256	533	720	950	61980M	41.50
	600	90	5.0	361	751	670	880	6080M	87.50
420	520	46	2.1	183	363	720	950	61884M	21.50
	560	65	4.0	262	558	690	900	61984M	43.00
	620	90	5.0	376	814	630	830	6084M	91.50
440	540	46	2.1	186	377	690	900	61888M	22.50
	600	74	4.0	305	673	630	830	61988M	60.50
	650	94	6.0	405	902	580	780	6088M	105.00
460	580	56	3.0	232	494	630	830	61892M	35.00
	620	74	4.0	313	709	590	790	61992M	62.50
	680	100	6.0	433	993	520	760	6092M	120.00
480	600	56	3.0	236	514	590	790	61896M	36.50
	650	78	5.0	345	809	530	770	61996M	74.00
	700	100	6.0	451	1070	480	720	6096M	125.00
500	620	56	3.0	241	533	540	780	618/500M	37.50
	670	78	5.0	354	849	490	730	619/500M	77.00
	720	100	6.0	467	1147	460	690	60/500M	135.00
530	650	56	3.0	244	553	480	720	618/530M	39.50
	710	82	5.0	385	958	450	680	619/530M	90.50
	780	112	6.0	522	1298	420	640	60/530M	185.00
560	680	56	3.0	253	593	450	680	618/560M	42.00
	750	85	5.0	403	1021	420	640	619/560M	105.00
	820	115	6.0	558	1432	400	610	60/560M	210.00
600	730	60	3.0	266	644	420	640	618/600M	52.00
	800	90	5.0	449	1195	400	610	619/600M	125.00
	870	118	6.0	580	1531	380	580	60/600M	236.00
630	780	69	4.0	323	820	400	610	618/630M	73.00
	850	100	6.0	504	1394	380	580	619/630M	160.00
	920	128	7.5	646	1771	360	550	60/630M	285.00



QJ0000



QJF0000

四点接触球轴承 Four-point Contact Ball Bearings

外形尺寸(毫米) Boundary dimensions(mm)				基本额定负荷 (千牛) Basic load ratings(kN)		极限转速(转/分) Speed rating (rpm)		型号 Designations
d	D	B	r _{min}	Cr	Cor	Grease	Oil	
110	169.5	28	2.0	110	140	2300	3100	QJ1022X1
	169.5	28	2.0	110	140	2300	3100	QJF1022X1
	170	28	2.0	110	140	2300	3100	QJ1022
	170	28	2.0	110	140	2300	3100	QJF1022
	200	38	2.1	239	275	2100	2900	QJ222
	200	38	2.1	239	275	2100	2900	QJF222
	240	50	3.0	328	387	1800	2600	QJ322
	240	50	3.0	328	387	1800	2600	QJF322
120	179.5	28	2.0	115	150	2100	2900	QJ1024X1
	179.5	28	2.0	115	150	2100	2900	QJF1024X1
	180	28	2.0	115	150	2100	2900	QJ1024
	180	28	2.0	115	150	2100	2900	QJF1024
	215	40	2.1	257	306	1900	2700	QJ224
	215	40	2.1	257	306	1900	2700	QJF224
	260	55	3.0	351	441	1600	2200	QJ324
	260	55	3.0	351	441	1600	2200	QJF324
130	199.5	33	2.0	145	195	1900	2700	QJ1026X1
	199.5	33	2.0	145	195	1900	2700	QJF1026X1
	200	33	2.0	145	195	1900	2700	QJ1026
	200	33	2.0	145	195	1900	2700	QJF1026
	230	40	3.0	266	329	1800	2600	QJ226
	230	40	3.0	266	329	1800	2600	QJF226
	280	58	4.0	381	504	1500	2000	QJ326
	280	58	4.0	381	504	1500	2000	QJF326
140	209.5	33	2.0	160	205	1800	2600	QJ1028X1
	209.5	33	2.0	160	205	1800	2600	QJF1028X1
	210	33	2.0	160	205	1800	2600	QJ1028
	210	33	2.0	160	205	1800	2600	QJF1028
	250	42	3.0	293	396	1600	2200	QJ228
	250	42	3.0	293	396	1600	2200	QJF228
	300	62	4.0	421	576	1300	1800	QJ328
	300	62	4.0	421	576	1300	1800	QJF328
145	225	40	2.1	180	305	1700	2400	QJF1029X2

四点接触球轴承 Four-point Contact Ball Bearings

重量(千克) Weight (kg)	相当于国外型号(参考) Equivalent to foreign designations(For your information)			
	SKF	FAG	NSK	NTN
2.50				
2.50				
2.50	QJ1022N2	QJ1022N2MPA	QJ1022	
2.50				
5.60	QJ222N2	QJ222N2MPA	QJ222	QJ222
5.60	QA110	QA110		
12.50	QJ322N2	QJ322N2MPA	QJ322	QJ322
12.50				
2.80				
2.80				
2.80		QJ1024N2MPA	QJ1024	
2.80				
6.95	QJ224N2	QJ224N2MPA	QJ224	QJ224
6.95	QA120	QA120		
15.60	QJ324N2	QJ324N2MPA	QJ324	QJ324
15.60				
4.13				
4.13				
4.13			QJ1026	
4.13				
7.75	QJ226N2	QJ226N2MPA	QJ226	
7.75	QA130	QA130		
19.50	QJ326N2	QJ326N2MPA	QJ326	
19.50				
4.21				
4.21				
4.21	QJ1028N2		QJ1028	
4.21				
9.90	QJ228N2	QJ228N2MPA	QJ228	
9.90	QA140	QA140		
24.00	QJ328N2	QJ328N2MPA	QJ328	
24.00				
6.40				

四点接触球轴承 Four-point Contact Ball Bearings

外形尺寸(毫米) Boundary dimensions(mm)				基本额定负荷 (千牛) Basic load ratings(kN)		极限转速(转/分) Speed rating (rpm)		型号 Designations
d	D	B	r _{min}	Cr	Cor	Grease	Oil	
150	224.5	35	2.1	170	230	1600	2200	QJ1030X1
	224.5	35	2.1	170	230	1600	2200	QJF1030X1
	225	35	2.1	170	230	1600	2200	QJ1030
	225	35	2.1	170	230	1600	2200	QJF1030
	270	45	3.0	304	419	1500	2000	QJ230
	270	45	3.0	304	419	1500	2000	QJF230
	320	65	4.0	444	639	1100	1500	QJ330
	320	65	4.0	444	639	1100	1500	QJF330
160	239.5	38	2.1	220	300	1500	2000	QJ1032X1
	239.5	38	2.1	220	300	1500	2000	QJF1032X1
	240	38	2.1	220	300	1500	2000	QJ1032
	240	38	2.1	220	300	1500	2000	QJF1032
	290	48	3.0	351	513	1300	1800	QJ232
	290	48	3.0	351	513	1300	1800	QJF232
	340	68	4.0	486	734	1000	1400	QJ332
	340	68	4.0	486	734	1000	1400	QJF332
170	259.5	42	2.1	225	315	1400	1900	QJ1034X1
	259.5	42	2.1	225	315	1400	1900	QJF1034X1-1
	260	42	2.1	225	315	1400	1900	QJ1034
	260	42	2.1	225	315	1400	1900	QJF1034
	265	42	2.1	225	315	1400	1900	QJF1034X1-2
	310	52	4.0	357	540	1100	1500	QJ234
175	259.5	40	2.1	210	380	1300	1800	QJ1035X2
180	249.5	33	2.0	175	345	1300	1800	QJF1936X1
	259.5	52	2.1	170	330	1300	1800	QJF3936X1
	280	46	2.1	250	365	1200	1600	QJ1036
	280	46	2.1	250	365	1200	1600	QJF1036
	320	52	4.0	392	612	1000	1400	QJ236
	320	52	4.0	392	612	1000	1400	QJF236
190	269.5	55	2.0	200	395	1200	1600	QJF3938X1
	289.5	46	2.1	260	380	1100	1500	QJ1038X1
	289.5	46	2.1	260	380	1100	1500	QJF1038X1
	290	46	2.1	260	380	1100	1500	QJ1038

四点接触球轴承 Four-point Contact Ball Bearings

重量(千克) Weight (kg)	相当于国外型号(参考) Equivalent to foreign designations(For your information)			
	SKF	FAG	NSK	NTN
5.20				
5.20				
5.20	QJ1030N2	QJ1030N2MPA	QJ1030	
5.20				
12.50	QJ230N2	QJ230N2MPA	QJ230	
12.50	QA150	QA150		
29.00	QJ330N2	QJ330N2MPA	QJ330	
29.00				
6.36				
6.36				
6.36	QJ1032N2	QJ1032N2MPA	QJ1032	
6.36				
15.50	QJ232N2	QJ232N2MPA	QJ232	
15.50	QA160	QA160		
34.50	QJ332N2	QJ332N2MPA	QJ332	
34.50				
8.40				
8.40				
8.40	QJ1034N2	QJ1034N2MPA	QJ1034	
8.40				
9.40				
19.50	QJ234N2	QJ234N2MPA	QJ234	
10.00				
4.80				
9.30				
11.00	QJ1036N2	QJ1036N2MPA	QJ1036	
11.00				
20.50	QJ236N2	QJ236N2MPA	QJ236	
20.50	QA180	QA180		
10.50				
11.40				
11.40				
11.50	QJ1038N2	QJ1038N2MPA	QJ1038	

四点接触球轴承 Four-point Contact Ball Bearings

外形尺寸(毫米) Boundary dimensions(mm)				基本额定负荷 (千牛) Basic load ratings(kN)		极限转速(转/分) Speed rating (rpm)		型号 Designations
d	D	B	r _{min}	Cr	Cor	Grease	Oil	
190	290	46	2.1	260	380	1100	1500	QJF1038
	340	55	4.0	439	702	1000	1400	QJ238
	340	55	4.0	439	702	1000	1400	QJF238
200	280	51	2.1	210	420	1100	1500	QJF2940X2
	289.5	58	2.1	235	415	1100	1500	QJF3940X3
	310	51	2.1	305	475	1000	1400	QJ1040
	310	51	2.1	305	475	1000	1400	QJF1040
	360	58	4.0	456	765	970	1350	QJ240
	360	58	4.0	456	765	970	1350	QJF240
220	300	60	2.1	160	340	1000	1400	QJF3944
	309.5	60	2.1	215	430	1000	1400	QJF3944X1
	340	56	3.0	450	620	970	1350	QJ1044
	340	56	3.0	450	620	970	1350	QJF1044
240	329.5	60	2.1	230	480	970	1350	QJF3948X1
	340	60	2.1	270	580	950	1300	QJF3948X2
	360	56	3.0	460	655	950	1300	QJ1048
	360	56	3.0	460	655	950	1300	QJF1048
260	359.5	65	2.1	280	630	920	1270	QJF2952X2
	369.5	60	2.1	300	660	900	1250	QJF2952X1
	374.5	60	2.1	300	660	900	1250	QJF2952X3
	400	65	4.0	510	765	850	1200	QJ1052
	400	65	4.0	510	765	850	1200	QJF1052
280	375	65	2.1	235	525	850	1200	QJF2956X2
	389.5	65	2.1	300	700	820	1180	QJF2956X3
	420	65	4.0	540	835	800	1000	QJ1056
	420	65	4.0	540	835	800	1000	QJF1056
300	420	65	3.0	355	870	800	1000	QJF2960X1
	460	74	4.0	630	1040	700	950	QJ1060
	460	74	4.0	630	1040	700	950	QJF1060
320	440	65	3.0	360	900	700	950	QJF2964X2
	480	74	4.0	650	1090	650	850	QJ1064
	480	74	4.0	650	1090	650	850	QJF1064
	479.5	74	4.0	650	1090	650	850	QJF1064X1

四点接触球轴承 Four-point Contact Ball Bearings

重量(千克) Weight (kg)	相当于国外型号(参考) Equivalent to foreign designations(For your information)			
	SKF	FAG	NSK	NTN
11.50				
24.50	QJ238N2	QJ238N2MPA	QJ238	
24.50	QA190	QA190		
10.30				
13.60				
15.20	QJ1040N2	QJ1040N2MPA		
15.20				
28.50	QJ240N2	QJ240N2MPA	QJ240	
28.50	QA200	QA200		
12.50				
14.80				
19.50	QJ1044N2			
19.50				
16.10				
17.80				
22.30	QJ1048N2			
22.30				
22.20				
23.00				
23.50				
32.60	QJ1052N2			
32.60				
21.00				
25.50				
34.70	QJ1056N2			
34.70				
30.50				
47.00	QJ1060N2			
47.00				
31.00				
49.50	QJ1064N2			
49.50				
50.00				

四点接触球轴承 Four-point Contact Ball Bearings

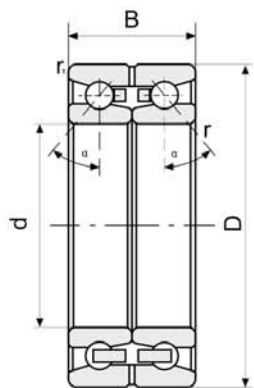
外形尺寸(毫米) Boundary dimensions(mm)				基本额定负荷 (千牛) Basic load ratings(kN)		极限转速(转/分) Speed rating (rpm)		型号 Designations
d	D	B	r _{min}	Cr	Cor	Grease	Oil	
340	519.5	82	5.0	730	1380	620	820	QJ1068X1
	519.5	82	5.0	730	1380	620	820	QJF1068X1
	520	82	5.0	730	1380	620	820	QJ1068
	520	82	5.0	730	1380	620	820	QJF1068
360	539.5	82	5.0	780	1450	600	800	QJ1072X1
	539.5	82	5.0	780	1450	600	800	QJF1072X2
	540	82	5.0	780	1450	600	800	QJ1072
	540	82	5.0	780	1450	600	800	QJF1072
380	560	82	5.0	819	1900	600	800	QJF1076
	680	132	6.0	1170	2200	550	750	QJF1276
400	600	90	5.0	904	2160	580	780	QJF1080
	720	140	6.0	1170	2850	500	700	QJF1280
420	620	90	5.0	923	2280	550	750	QJF1084
	760	150	7.5	1430	3750	450	650	QJF1284
440	650	94	6.0	990	2500	500	700	QJF1088
	800	160	7.5	1450	3800	380	580	QJF1288
460	680	100	6.0	1040	2660	500	700	QJF1092
	820	160	7.5	1480	4100	350	550	QJF1292
480	700	100	6.0	1060	2800	450	650	QJF1096
	870	170	7.5	1680	4750	320	520	QJF1296
500	720	100	6.0	1120	2910	400	600	QJF10/500
530	780	112	6.0	1240	3010	350	550	QJF10/530
560	820	115	6.0	1330	3180	320	520	QJF10/560
600	870	118	6.0	1410	3320	300	500	QJF10/600

四点接触球轴承 Four-point Contact Ball Bearings

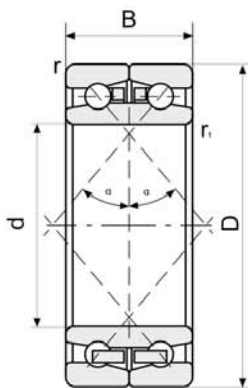
重量(千克) Weight (kg)	相当于国外型号(参考) Equivalent to foreign designations(For your information)			
	SKF	FAG	NSK	NTN
66.00				
66.00				
66.00	QJ1068N2			
66.00				
69.50				
69.50				
70.00	QJ1072N2			
70.00				
73.50				
220.00				
95.50				
265.00				
100.00				
310.00				
116.00				
362.00				
130.00				
405.00				
135.00				
470.00				
138.00				
195.00				
220.00				
238.00				



双列角接触球轴承
Double-row Angular
Contact Ball Bearings



0000D



0000DC

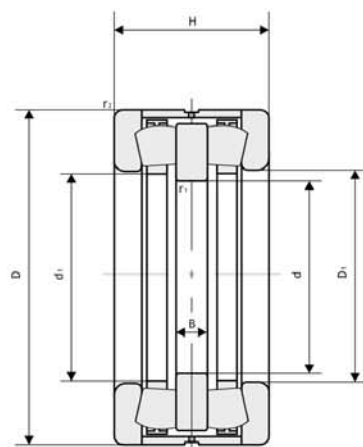
双列角接触球轴承 Double-row Angular Contact Ball Bearings

外形尺寸(毫米) Boundary Dimensions(mm)				基本额定负荷(千牛) Basic load ratings(kN)		极限转速(转/分) Speed rating(rpm)		型号 Designations	重量(千克) Weight(kg)	相当于国外型号(参考) Equivalent to foreign Designations(FYI)	
d	D	B	r _{min}	Cr	Cor	Grease	Oil			SKF	FAG
120	180	60	2.0	110	183	1900	2600	4024D	5.60		
	190	66	2.0	139	220	1900	2600	4024X3D	6.20	305256D	517458A
130	210	80	2.0	142	235	1850	2500	4026X2D	9.70		
	140	66	2.0	134	237	1800	2400	4028X3D	7.10	309515D	538854
140	210	66	2.0	134	234	1800	2400	4028X2D	8.28	305275D	
	210	69	2.0	124	217	1800	2400	4028D	10.10		
	150	73	2.1	159	280	1600	2200	4030X2D	10.50	305286D	510776A
150	225	75	2.1	159	280	1600	2200	4030D	10.80		
	230	70	2.1	159	280	1600	2200	4030X3D	11.10	305283D	506963
	160	56	2.0	85	166	1600	2200	4932X2D	4.90	305608B	514478
160	240	76	2.1	190	340	1450	1850	4032X2DC	12.50	305183	507511
	240	80	2.1	171	305	1500	2000	4032D	13.00		
	170	84	2.1	208	385	1400	1900	4934X3D	16.70		
170	260	84	2.1	208	385	1300	1700	4034X2DC	16.50	305180	503288
	260	90	2.1	208	385	1400	1900	4034D	18.10		538853
	180	66	2.1	153	293	1300	1800	4936X3D	12.00	305262D	509059A
180	280	100	2.1	240	451	1300	1800	4036D	23.60		
	190	66	2.1	163	318	1200	1700	4938X3D	11.60	305338D	508658A
190	290	100	2.1	247	480	1200	1700	4038D	24.60		
	200	76	2.1	201	387	1100	1600	4940X3D	14.80	305428D	508733A
	289.5	76	2.1	221	439	1100	1600	4940X3D-1	17.30	305263D	509590A
200	310	109	2.1	273	558	1100	1600	4040D	31.70		
	220	76	3.0	238	491	1060	1400	4944X3D	17.00	305272D	511045A
220	340	118	3.0	309	670	1060	1400	4044D	41.40		
	230	80	3.0	203	423	1020	1400	4946X1D	22.90	305264D	508732A
240	360	118	3.0	315	706	1000	1300	4048D	44.30		
	359.5	118	3.0	315	706	1000	1300	4048X1D	44.10		
	370	112	3.0	314	707	1000	1300	4048X3D	47.00		
	440	144	3.0	475	1139	1000	1300	4048X2D	105.00		
260	369.5	92	4.0	286	652	890	1200	4952X3D	30.00	305270D	508731A
	400	140	4.0	376	901	890	1200	4052D	68.00		
280	389.5	92	4.0	278	650	850	1100	4956X3D-1	31.90	305269D	508730A
	390	92	4.0	278	650	850	1100	4956X3D	32.00		
	420	140	4.0	383	947	850	1100	4056D	72.00		
	300	112	4.0	350	863	800	1080	4960X3D	50.50		
300	460	160	4.0	425	1098	770	1060	4060D	103.00		
	320	140	4.0	396	1022	740	1000	4064X3D	79.90		
320	480	160	4.0	432	1142	740	1000	4064D	109.00		
	340	180	5.0	480	1280	700	900	4068D	135.00		

双向双列推力圆锥滚子轴承 Bilateral Double-row Thrust Tapered Roller Bearings



双向双列推力圆锥滚子轴承
Bilateral Double-row Thrust
Tapered Roller Bearings



829000

外形尺寸(毫米) Boundary dimensions(mm)						基本额定负荷 (千牛) Basic load ratings(kN)		型号 Designations	重量 (千克) Weight (kg)	相当于国外型号(参考) Equivalent to foreign designations(FYI)	
d	D	H	d1	D1	B	Cr	Cor			SKF	FAG
160	300	110	186	190	34	580	2900	829232	3.50		515805
170	240	84	182	184	20	380	1390	829234	12.50	350980 C	528974
180	280	90	192	196	20	580	2900	829736	21.00	353162	528294
220	300	96	231	236	22	450	1800	829244	19.50	351019 C	528876
230	400	180	254	260	42	980	4800	829746	114.00		530852
240	320	96	251	256	22	430	2000	829748	20.20	351182 C	529086
250	380	100	265	275	22	850	5000	829950	42.30	353005	502010
260	360	92	276	285	20	630	3200	829252	27.70	350981 C	509352
270	450	180	300	310	45	1700	6100	829954	118.00	351164 C	
270	450	180	300	316	44	1700	6100	829954K	118.00		527907
300	420	100	324	330	23	890	4500	829260	42.00		524740
320	440	108	348	355	26	990	4700	829264	48.00	353102 C	528562
320	470	130	340	350	30	1350	5800	829764	79.00	350982 C	509654
350	490	130	380	390	30	1200	5300	829970	73.50	351100 C	530739
350	540	135	384	400	30	1750	9200	829970K	112.00	353006	522008
360	560	200	382	396	48	2400	12500	829272	180.00		524194
380	530	130	398	410	30	1800	10000	829276	88.00		513828
380	560	130	416	430	32	1800	10000	829776	108.00	351175 C	513125
380	650	215	446	450	65	3400	17200	829976	275.00	BFDB353204	545936
400	650	200	436	450	50	2700	13800	829780	250.00		540162
420	620	170	455	465	35	2420	12200	829784	185.00	351121 C	
420	620	170	455	470	35	2420	12200	829784K	182.00		509392
420	620	185	455	465	50	2420	12200	829984	202.00	BFDB353200/HA3	
420	620	185	455	470	50	2420	12200	829984K	200.00		545991
440	645	167	480	490	50	1980	10800	829788	190.00	353151	
440	645	167	480	500	50	1980	10800	829788K	187.00		534038
450	645	155	480	490	38	1980	10800	829990	170.00	350916 D	
470	720	200	515	535	50	3450	18000	829994	305.00	353151	
470	720	210	515	535	60	3450	18000	829794	312.00	BFDB353238/HA3	549701
480	710	218	560	575	57	2900	13000	829796	292.00		547584
530	710	218	560	575	57	2300	14000	8292/530	245.00	351475C	511746
550	760	230	585	610	50	2950	13500	8297/550	310.00	350976C	515196
600	880	290	670	680	70	4750	21500	8297/600	589.00	BFDB350824B/HA1	
600	910	290	670	680	70	5120	23400	8292/600	650.00	350901C	
670	900	230	705	725	50	3600	19500	8292/670	425.00	351761A	